



PARTS CATALOG

PORTABLE
SCREW COMPRESSOR

F A C - 5 2 P

FOR MODEL
适用机型

MODEL 机型	SER. NO. 适用机号
FAC-52P	B4-6C20051~

ENGINE MODEL	YANMAR 4TNV88-BDHKS
Fuel filter	129907-55801 (HOKUETSU NO. 43543 01400)

NOTICE

1. This parts catalog contains all the parts and assemblies of "AIRMAN" brand products. The complete unit is divided into several parts groups, the details of which are clearly illustrated, and completely listed.

So desired part number, name and quantity can be easily determined referring to Ref. No.

2. When you place order for service parts, please be sure to advise us of the following information.

- (1) Part number.
- (2) Quantity required.
- (3) Part name.
- (4) Model name and Serial number.

3. How to read parts catalog.

(1) Ref. No.

Reference number (Ref. No.) is to be used for locating the part number and name from the illustrations. (However some parts such as bolts and nuts etc., are not illustrated but their reference numbers only listed.)

Ref. No. 1, 1-1, 1-2, shows history of part modifications; namely ref. No. 1 changed to No. 1-1 and then 1-2.

Example: Ref. No.	Part No.
1.	21101 00101
1-1.	21101 00103

(2) Part No.

Every part has its own proper number.

Even if a part has the same shape as an other part and if its number different, it is not interchangeable at all in many cases.

(3) Interchangeability

A. B. C. D. Q. X. Y. and Z. in column "Interchangeability" show the following.

A : A new part is replaceable with an old part, but the old part is not replaceable with the new one.

B : Not interchangeable.

C : Disused.

D : Newly added.

Q : Quantity per unit changed.

X : Included in this set of parts, this part is not used for this model.

Y : Part to be selected.

Z : This part can not be supplied as an individual part.

(4) Part name

Every part has its own proper name.

(5) Q' ty

The number shown in the column of Q' TY indicates the quantity of parts used per one unit machine.

(6) Applicable Ser.No. (Serial Number)

Ser.No. shows the machine number to which the part is applicable.

Month and year stated in column "Ser.No." show the month and year from which the part is applicable.

4. Abbreviations and marks used in this catalog.

ass' y	assembly	L	Length
C/H	Change column	o & p	overrun & parking brake
Comp.	Compressor	OPT.	Option
Const.	Consisting of	Press.	Pressure
Cont.	Control	SPC/S.	Special specifications
Cyl.	Cylinder	STD.	Standards
Eng.	Engine	T or t	Thickness
EXP.	Export	w.	with
Incl.	Including	w/o	without

NOTE :

- ※ We are always engaged in improving our products. So there may be some changes of the product which are not yet mentioned in this parts catalog. Therefore, in necessary case, we issue a revision in which such changes are added. When you have any question on the parts catalog, please ask your nearest dealer or directly us.

使用 说 明

1. 本部件样本记载了各部构造的部件分解示意图。根据各部件的指示编号，可以知道各部件的编号、名称以及一台机器所需的数量。
2. 订购部件时，请通知以下内容：
 - (1) 部件编号 (Part No.)
 - (2) 必要数量 (Q'ty)
 - (3) 部件名称 (Part Name)
 - (4) 机器型式 (Model)和机器编号 (Ser. No.)
3. 本部件样本的使用方法：
 - (1) 指 示 编 号 (Ref. No.)

起到从示意图中找出部件名称和部件编号的作用。
(请注意，部分示意图中未表示螺栓、螺母等小部件，只是标注了指示编号。)
指示编号一栏中的1, 1-1, 1-2, ……，表示部件的变更过程。
(变更过程：指示编号1的部件先变更为1-1，其次再变更为1-2)
 - (2) 部 件 编 号 (Part No.)

表示各部件的特定编号。
请注意，即使部件的形状相同，但是，如果部件的编号不相同，则不具备互换性。
 - (3) 互 换 性 (Interchangeability)

互换性一栏中记载的符号意义如下：
A：新部件可以代替旧部件使用，而旧部件不可以代替新部件使用。
B：新、旧部件之间没有互换性。
C：废止
D：新增加的部件
Q：数量变更
X：此部件包括在成套部件内，但该机型未采用。
Y：可选部件
Z：不可以单件提供的部件
 - (4) 部 件 名 称 (Part Name)

表示各部件特定的名称。
 - (5) 数 量 (Q'ty)

表示该机器1台所需要的数量。
 - (6) 适用机号范围 (Applicable Ser. No.)

适用机号范围，表示同行记载部件所适用的机器编号 (SER. No.) 范围。
另外，代替机器编号所记载的年月，是表示从此年月开始变更。

4. 关于各省略符号的说明

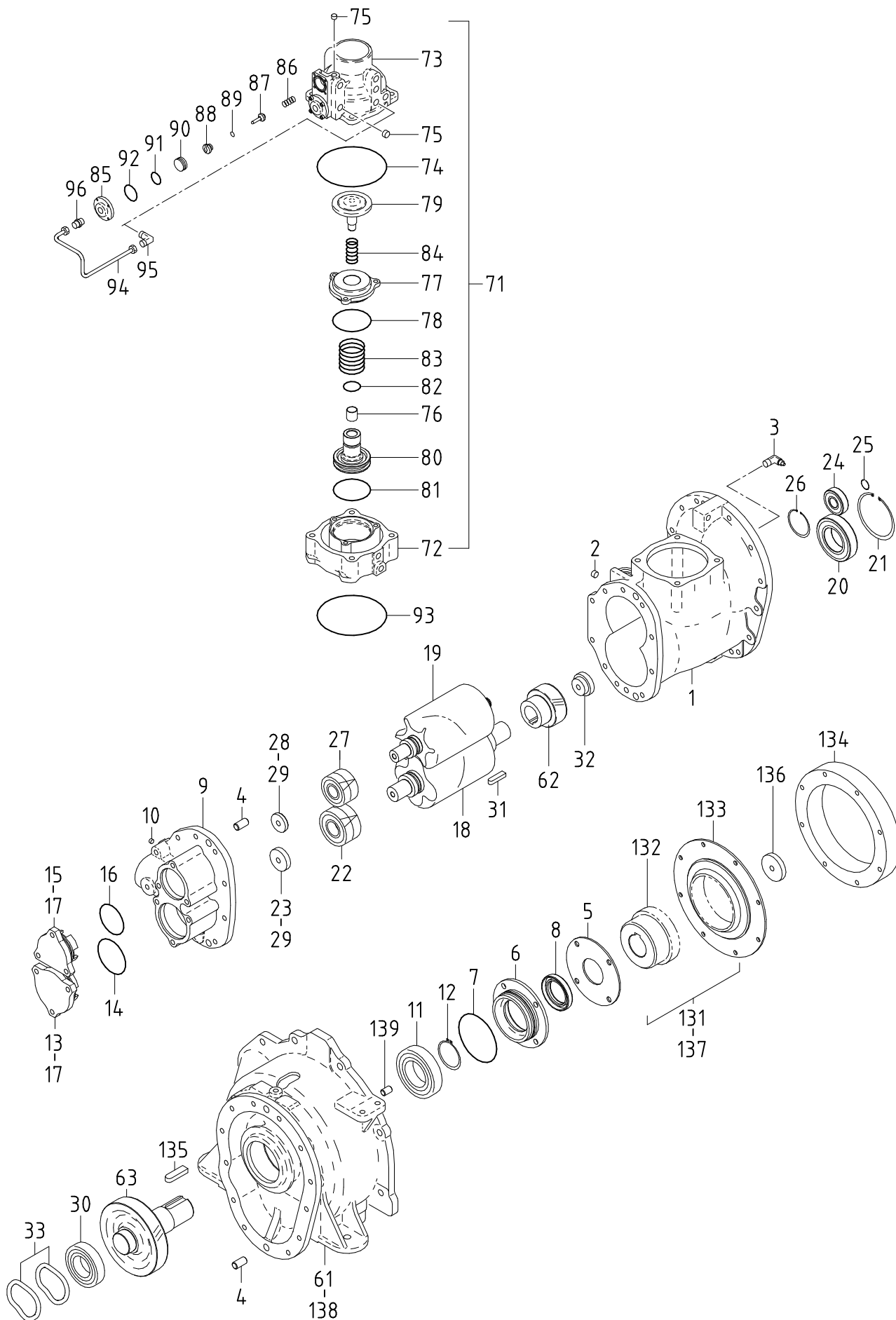
ass'y (assembly)	组合部件	o & p (overrun & parking brake)	自动减速、 停车用刹车
C/H (Change column)	变更	OPT. (Option)	选择
Comp. (Compressor)	压缩机	Press. (Pressure)	压力
Const. (Consisting of)	由...构成	SPC/S. (Special specifications)	特殊规范
Cont. (Control)	控制		
Cyl. (Cylinder)	气缸体	STD. (Standards)	标准
Eng. (Engine)	引擎	T or t (Thickness)	厚度
EXP. (Export)	出口	w. (with)	带有...
Incl. (Including)	含有...	w/o (without)	不带有...
L (Length)	长度		

※ 敝公司始终致力于产品的不断改良更新，部件样本有未能记载全部变更的可能。敝公司根据需要对部件样本进行更新改版。若有不明之处，请向附近的部件中心咨询。

CONTENTS

目 录

FIG. NO. 图 号	FIG. NAME 图 名 称	PAGE 页
—COMPRESSOR PARTS—		
21 - 00	AIR END	压缩机本体 21- 1~4
31 - 00	MOUNTING, INTAKE, RECEIVER, SEPARATOR & SERVICE HEADER	底架、进气、储气、 分离与供气回路 31- 1~3
36 - 00	AIR LINE	空气回路 36- 1~3
37 - 00	OIL LINE & COOLING	油回路与冷却 37- 1~3
39 - 00	NAME PLATE	标牌 39- 1~2
41 - 00	ENGINE, EXHAUST & FUEL LINE	引擎、排气与燃料回路 41- 1~3
44 - 00	ELECTRIC	电气 44- 1~2
51 - 00	FRAME & BONNET	底盘与机壳 51- 1~3
52 - 00	LINING	防音材料 52- 1~2
—ENGINE PARTS—		
1.	CYLINDER BLOCK	
2.	GEAR HOUSING	
3.	MOUNTING FLANGE & OIL SUMP	
4.	CYLINDER HEAD & BONNET	
5.	SUCTION MANIFOLD	
6.	EXHAUST MANIFOLD	
7.	CAMSHAFT & DRIVING GEAR	
8.	CRANKSHAFT & PISTON	
9.	LUB. OIL SYSTEM	
10.	COOLING WATER SYSTEM	
11.	FUEL INJECTION PUMP	
12.	GOVERNOR	
13.	FUEL INJECTION VALVE	
14.	FUEL LINE	
15.	STARTING MOTOR	
18.	(15A) STARTING MOTOR	
16.	GENERATOR	
17.	GASKET SET	



21 - 00 AIR END

Ref. NO. 索引编号	Part NO. 部件编号	Inter- change ability 互换性	Part Name 部件名称	Q' ty 数量	Applicable Ser. No. 适用机号 范围	Remarks 备考
	21000 28510		COMPRESSION GROUP		~0051	Const. No. 1~33
	21000 30210	B	COMPRESSION GROUP		0052~	Const. No. 1~33
1	21201 41502		Cylinder, 1st	1	~0051	
1 -1	21201 43900	B	Cylinder, 1st	1	0052~	
	02280 10030		Socket bolt	10		
	02280 10075		Socket bolt	2		
2	03620 60002		Plug	2	~0051	
2 -1	03620 60002	Q	Plug	3	0052~	
3	03734 21010		Nipple elbow	1		
4	03316 14028		Pin	4		
5	21212 18500		Cover, oil seal	1		
	22153 03400		Bolt	4		
6	21212 18300		Cover, oil seal	1		
7	03402 10095		O-ring	1		
8	21211 10800		Oil seal	1		
9	21217 33300		Casing, discharge	1		
	02280 10030		Socket bolt	8		
	02280 10055		Socket bolt	2		
10	03620 60001		Plug	2		
11	03410 06211		Bearing	1		
12	03413 10055		Snap ring	1		
13	21218 33500		End cover	1		
14	22314 02500		O-ring	1		
15	21218 33400		End cover	1		
16	22314 06200		O-ring	1		
17	02280 08030		Socket bolt	6		
	03115 40080		Spring washer	6		
18	21461 31600		Rotor, male	1		
19	21462 22300		Rotor, female	1		
A pair of rotor (male & female) should be ordered. 螺杆请成对订购。						
20	21406 29900		Bearing, rotor	1		
21	03413 20090		Snap ring	1		
22	21470 14300		Bearing, complete	1		
23	21468 02700		Plate	1		
24	21406 28700		Bearing, rotor	1		
25	03413 40020		Snap ring	1		
26	03413 20052		Snap ring	1		
27	21470 14400		Bearing, complete	1		
28	21468 09200		Plate	1		
29	02280 10030		Socket bolt	2		
	03115 30010		Lock washer	2		
30	03410 06209		Bearing	1		
31	03307 10040		Key	1		
32	21468 19800		Plate	1		
	02280 10045		Socket bolt	1		
	03115 30010		Lock washer	1		
33	21222 09600		Washer	2		

21 - 00 AIR END

Ref. NO. 索引编号	Part NO. 部件编号	Inter- change ability 互换性	Part Name 部件名称	Q'ty 数量	Applicable Ser. No. 适用机号 范围	Remarks 备考
	21000 28310		COMPRESSION GROUP 压缩机构成			Const. No. 61~63
61	21214 18100		Casing, power side 引擎侧缸体	1		
62	21467 40900		Gear, driven 从动齿轮	1		
63	21469 31500		Gear, drive 主动齿轮	1		
	22 - 00		VALVE GROUP 阀构成			
71	22100 41201		Unloader ass'y 进气阀	1		Const. No. 72~96
	02280 10075		Socket bolt 内六角螺栓	4		& See page 36-1
	03115 30010		Lock washer 自锁垫圈	4		No. 35~37
72	22111 28200		Body, unloader 机体, 进气阀	1		
73	22115 12700		Cover, unloader 盖, 进气阀	1		
74	03402 10125		O-ring O型密封圈	1		
75	03620 60002		Plug 堵头	2		
76	23124 15600		Bushing 衬套	1		
77	22115 11300		Cover, unloader 盖, 进气阀	1		
	02282 08025		Socket bolt 内六角螺栓	3		
78	03402 10070		O-ring O型密封圈	1		
79	22150 13801		Valve 阀	1		
80	22130 09500		Piston, unloader 活塞, 进气阀	1		
81	21441 04800		O-ring O型密封圈	1		
82	21441 04900		O-ring O型密封圈	1		
83	22144 16700		Spring 弹簧	1		
84	22144 16600		Spring 弹簧	1		
85	36621 01401		Cover, auto relief 盖	2		
	02270 04012		Socket bolt, w/w 组合内六角螺栓	8		
86	22144 10600		Spring 弹簧	2		
87	36429 00801		Needle valve 针型阀	2		
88	36428 00700		Valve seat 阀密封	2		
89	03402 25008		O-ring O型密封圈	2		
90	36623 00800		Piston, auto relief 活塞	2		
91	03402 25021		O-ring O型密封圈	2		
92	21221 02100		O-ring O型密封圈	2		
93	03402 10125		O-ring O型密封圈	1		
94	36349 22400		Pipe 管	1	~0051	
94 -1	36349 22800	B	Pipe 管	1	0052~	
95	03734 53021		Nipple elbow 螺纹弯接头	1		
96	03734 52021		Nipple 管接头	1	~0051	
96 -1	03734 53021	B	Nipple elbow 螺纹弯接头	1	0052~	
	61 - 00		COUPLING GROUP 联轴器构成			
131	21425 03800		Coupling, complete 联轴器组成	1		
132	21412 07600		Gear, driven 从动齿轮	1		
133	61111 13300		Gear, drive 主动齿轮	1		
134	61122 05400		Fly wheel 飞轮	1		
135	03307 14050		Key 键	1		
136	21468 04400		Plate 板件	1		
	02282 10030		Socket bolt 内六角螺栓	1		
	03115 30010		Lock washer 自锁垫圈	1		

21 - 00 AIR END

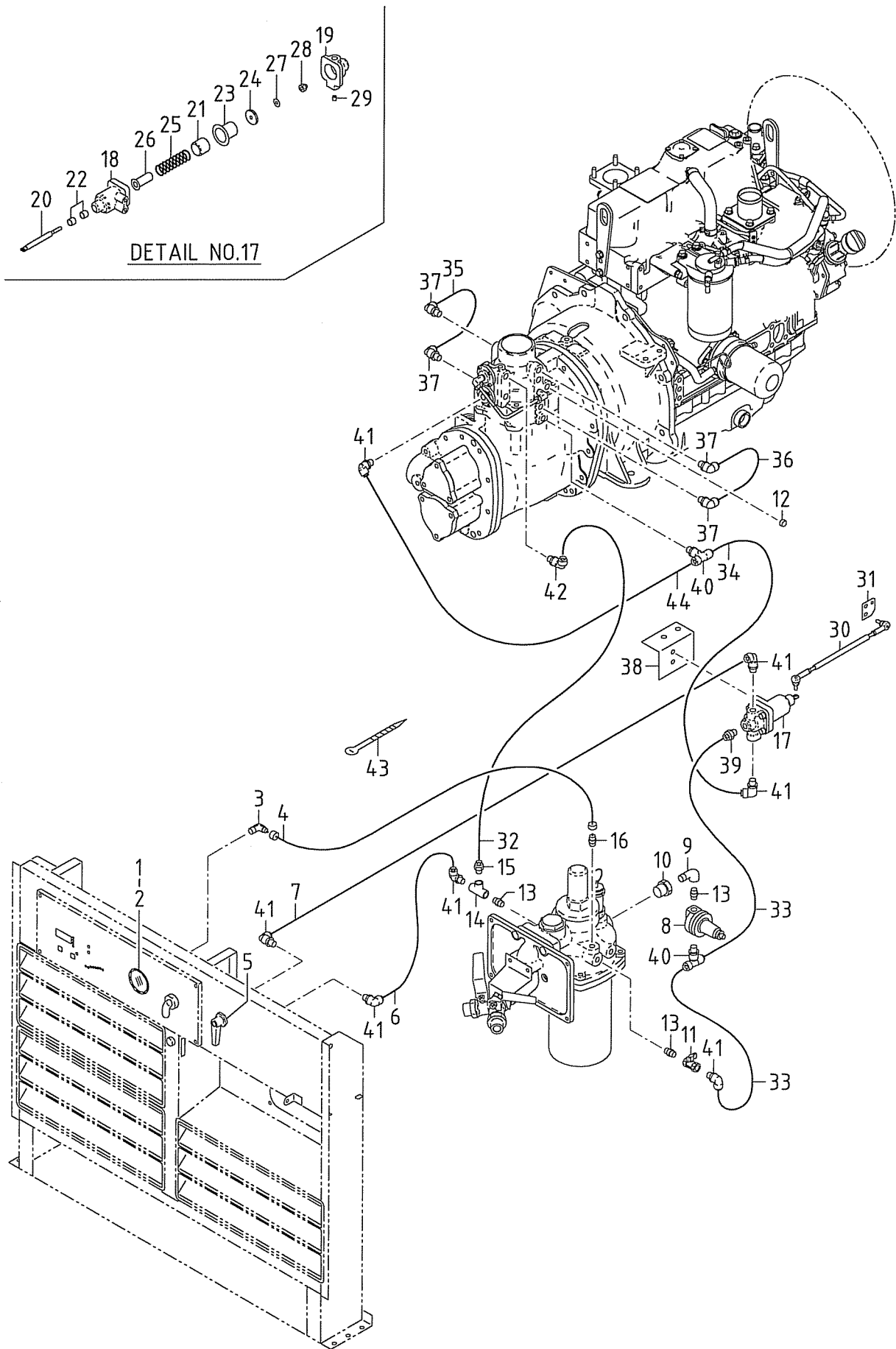
Ref. NO.	Part NO.	Inter-changeability	Part Name	Q' ty	Applicable Ser. No.	Remarks
索引编号	部件编号	互换性	部件名称	数量	适用机号范围	备考
137	02135 08060		Bolt	8		
	03115 02008		Spring washer	8		
138	02138 12030		Bolt	2		
	02138 12040		Bolt	6		
	03115 02012		Spring washer	8		
139	03316 08020		Pin	2		

31 - 00 MOUNTING, INTAKE, RECEIVER, SEPARATOR & SERVICE HEADER

Ref. NO. 索引编号	Part NO. 部件编号	Inter- change ability 互换性	Part Name 部件名称	Q'ty 数量	Applicable Ser. No. 适用机号 范围	Remarks 备考
31 - 00 MOUNTING GROUP 底架构成						
1	31110 06910		Bracket	2		
	02135 10020		Bolt	8		
	03115 02010		Spring washer	8		
2	31130 14200		Vibration isolator ass'y	2		
	02915 20008		Nut, w/w	4		
3	31130 20500		Vibration isolator ass'y	2		
	02915 20012		Nut, w/w	4		
4	31120 03500		Shim	2		
32 - 00 INTAKE GROUP 进气构成						
31	32100 40700		Air filter ass'y	1		Const. No. 32~34
32	32143 11700		Element	1		(outer)
33	32142 08600		Cup	1		
34	32151 01400		Vacuator valve	1		
35	32100 44900		Air filter ass'y	1		Const. No. 36~39
36	32143 11800		Element	1		(outer)
37	32142 11300		Cup	1		
38	32151 01600		Vacuator valve	1		
39	32147 03600		O-ring	1		
40	32148 00100		Filter service indicator	2		
41	02201 08012		Flange bolt	4		
42	32240 42500		Bracket	1		
	02201 08020		Flange bolt	4		
43	32331 78800		Hose	1		
44	03511 20070		Hose clip	1		
45	03511 20090		Hose clip	1		
46	32331 78700		Hose	1		
47	03511 20100		Hose clip	1		
48	03511 20110		Hose clip	1		
49	32143 12900		Element	1		(inner)
50	32143 13000		Element	1		(inner)
33 - 00 RECIVER GROUP 储气构成						
81	33100 76110		Receiver tank	1		Incl. No. 82, 83
	02201 08020		Flange bolt	4		
82	33231 02500		Cap, oil filler	1		
83	03402 25030		O-ring	1		
84	35200 15200		Safety valve ass'y	1		
85	37160 47910		Pipe	1		(Hose)
86	03734 85140		Nipple elbow	2		Incl. No. 87
87	03402 25044		O-ring	2		
88	03841 30015		Nylon tube, w/n	1		
	03734 21030		Nipple elbow	2		

31 - 00 MOUNTING, INTAKE, RECEIVER, SEPARATOR & SERVICE HEADER

Ref. NO. 索引编号	Part NO. 部件编号	Inter- change ability 互换性	Part Name 部件名称	Q' ty 数量	Applicable Ser. No. 适用机号 范围	Remarks 备考
89	03731 21004		Elbow	1		
90	03730 04110		Gas pipe	1		
91	03735 13004		Valve	1		
92	37730 02001		Nipple	1		
34 - 00			SEPARATOR GROUP	油分离构成		
121	34210 32600		Casing	1		
122	35108 07300		Flange	1		
	02201 10020		Flange bolt	4		
123	34220 16101		Separator	1		
124	34250 18301		Cover, separator	1		
125	03402 15140		O-ring	1		
126	03402 15050		O-ring	1		
127	02283 10035		Socket bolt	8		
	03115 30010		Lock washer	8		
128	33238 01600		Plug	1		Incl. No. 129
129	03402 25029		O-ring	1		
130	34260 07000		Pipe	1		
131	03734 70021		Nipple	1		
35 - 00			SERVICE HEADER GROUP	供气回路构成		
161	35421 07800		Air valve	1		
162	03731 42008		Nipple	1		
163	35470 41200		Bracket	1		
	02201 08020		Flange bolt	2		
164	35300 17000		Press. cont. vlv. ass'y	1		Const. No. 165~170.
165	35301 20200		Body	1		
166	03402 15075		O-ring	1		
167	35303 08400		Piston	1		
168	03402 25032		O-ring	1		
169	35303 03300		Piston	1		
170	22144 07700		Spring	1		
171	33410 03600		Pipe	1		
172	37187 01200		O-ring	2		
173	GD920 14300		Nipple	2		Incl. No. 174
174	03402 25038		O-ring	2		

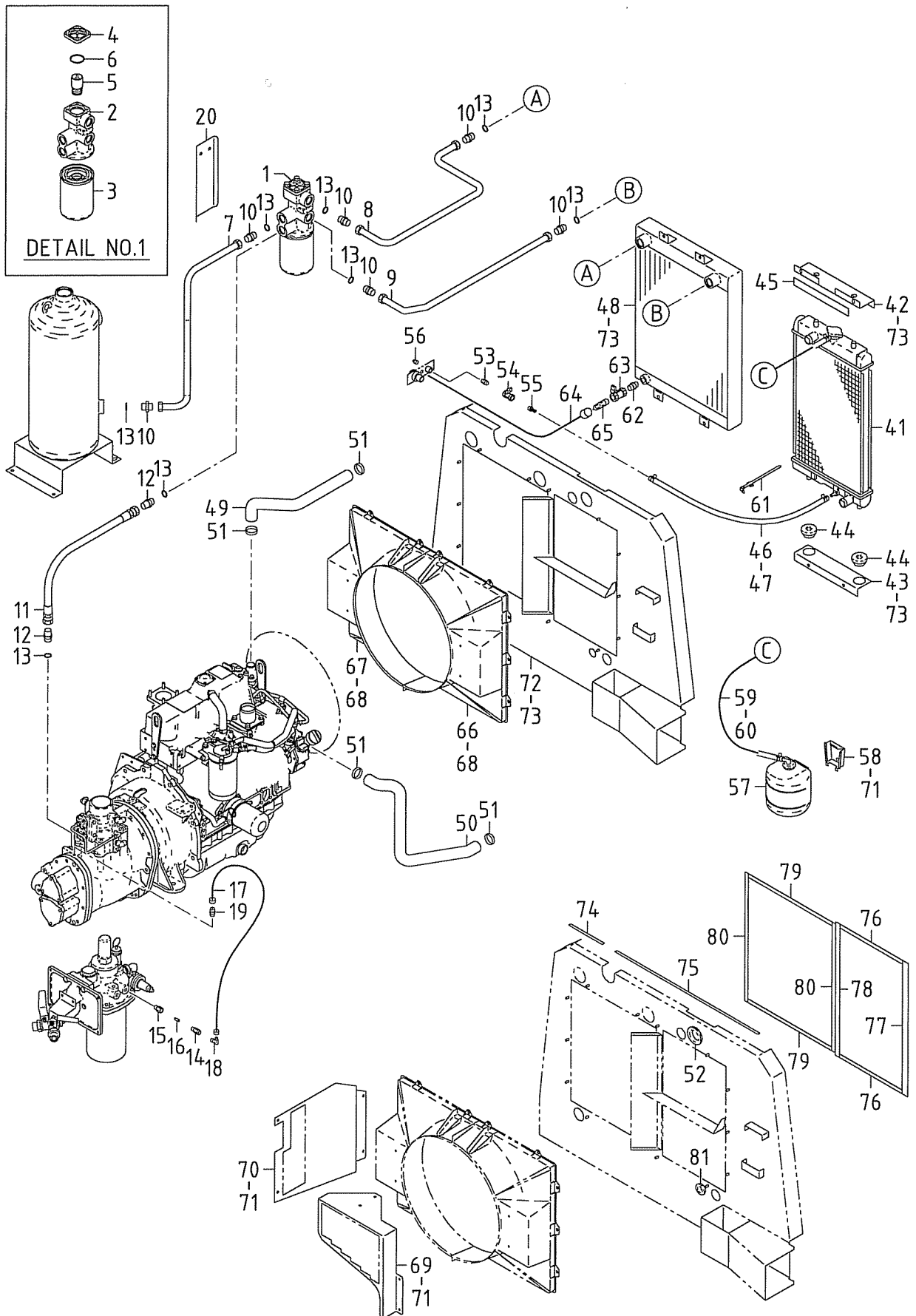


36 - 00 AIR LINE

Ref. NO.	Part NO.	Inter-change ability	Part Name	Q'ty	Applicable Ser. No.	Remarks
索引编号	部件编号	互换性	部件名称	数量	适用机号范围	备考
36 - 00			CONTROL GROUP	控制构成		
1	36141 18600		Gauge, air press.	1		
2	36131 03100		Cushion rubber	1		
3	03734 21151		Nipple elbow	1		
4	03840 15060		Nylon tube, w/n	1		
	06540 07060		Corrugated tube	1		
5	35421 01600		Air valve	1		
6	03890 20035		Nylon tube	1		
7	03890 20077		Nylon tube	1		
8	36400 19000		Regulator ass'y	1		(PRESS. CONTROL)
9	03731 21002		Elbow	1		
10	03732 00602		Bush	1		
11	03735 13002		Valve	1		
12	03620 60002		Plug	4		
13	03731 44002		Nipple	3		
14	03731 30002		Tee	1		
15	03734 64028		Nipple	1		
16	03734 20015		Nipple	1		
17	36400 21901		Regulator ass'y	1		Const. No. 18~29
	02238 08020		Bolt, w/w	2		
18	36421 03600		Body	1		
19	36422 01900		Cap	1		
	02283 06025		Socket bolt	4		
	03115 40006		Spring washer	4		
20	22152 04900		Shaft	1		
21	22130 05500		Piston	1		
22	23124 10300		Bushing	2		
23	36437 01500		Diaphragm	1		
24	36435 01400		Washer	1		
25	22144 12800		Spring	1		
26	31144 14400		Spacer	1		
27	34232 00300		Gasket	1		
28	02914 60008		Locking nut	1		
29	22123 04400		Orifice	1		
30	36280 33301		Rod	1		
	02915 20006		Nut, w/w	2		
	03116 12006		Plain washer	2		
31	36221 04500		Lever	1		
	02201 08020		Flange bolt	2		
	02915 20008		Nut, w/w	2		
32	03890 30046		Nylon tube	1		
33	03890 20030		Nylon tube	2		
34	03890 20025		Nylon tube	1		
35	03890 20030		Nylon tube	1	~0051	
35 -1	03890 20020	B	Nylon tube	1	0052~	
36	03890 20020		Nylon tube	1		
37	03734 65020		Nipple elbow	4		
38	36771 23500		Plate	1		
	02248 10020		Bolt, w/w	1		
39	03734 64020		Nipple	1		
40	03734 66020		Tee nipple	2		

36 - 00 AIR LINE

Ref. NO.	Part NO.	Inter-changeability	Part Name	Q' ty	Applicable Ser. No.	Remarks
索引编号	部件编号	互换性	部件名称	数量	适用机号范围	备考
41	03734 65020		Nipple elbow	7		
42	03734 65028		Nipple elbow	1		
43	03425 00001		Vinyl clip	5		
44	03890 20020		Nylon tube	1		

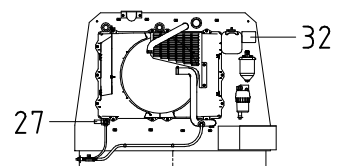
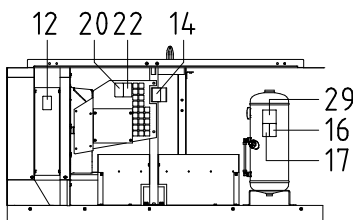
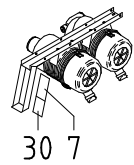
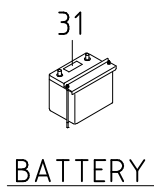
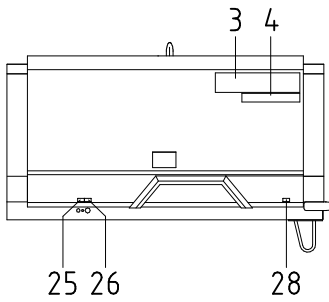
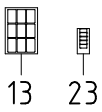
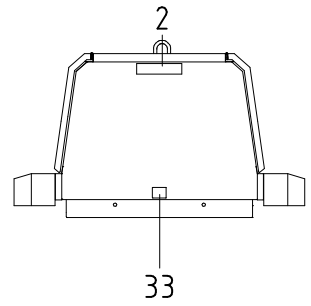
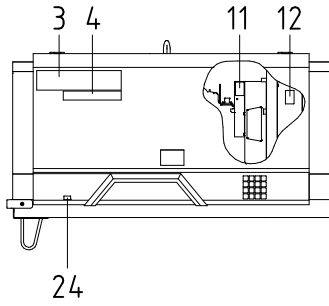
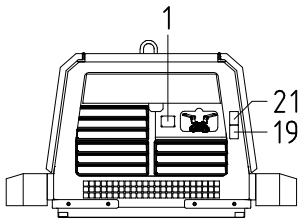
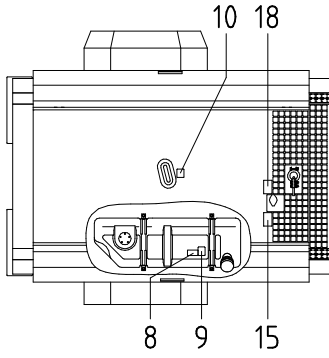
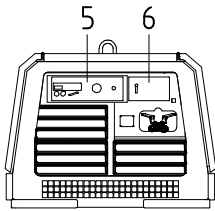


37 - 00 OIL LINE & COOLING

Ref. NO. 索引编号	Part NO. 部件编号	Inter- change ability 互换性	Part Name 部件名称	Q'ty 数量	Applicable Ser. No. 适用机号 范围	Remarks 备考
37 - 00 OIL LINE GROUP 油回路构成						
1	37400 16100		Oil filter ass'y	1		Const. No. 2~6
	02201 10020		Flange bolt	2		
2	37400 07600		Body	1		
3	37438 08900		Filter cartridge	1		
4	37215 02800		Cover	1		
	02138 08030		Bolt	4		
	03115 02008		Spring washer	4		
	03116 12008		Plain washer	4		
5	37231 02100		Pellet ass'y	1		
6	03402 25045		O-ring	1		
7	37111 22301		Pipe	1		
8	37112 49000		Pipe	1		
9	37114 25000		Pipe	1		
10	03734 75060		Nipple	6		Incl. No. 13
11	37110 04600		Pipe	1		
12	GD920 14700		Nipple	2		Incl. No. 13
13	03402 25024		O-ring	8		
14	22200 16100		Check valve ass'y	1		
15	37189 34400		Bushing	1		
16	37580 01900		Strainer	1		
17	03841 20087		Nylon tube, w/n	1		
	06540 07085		Corrugated tube	1		
18	03734 21020		Nipple elbow	1		
19	03734 20201		Nipple	1		
20	37510 37400		Bracket	1		
	02201 08020		Flange bolt	2		
38 - 00 COOLING GROUP 冷却构成						
41	38100 43600		Radiator	1		
	38410 05700		Cap	1		
42	38420 95400		Bracket	1		
43	38420 96000		Bracket	1		
44	31131 04900		Rubber	2		
45	03407 64632		Seal rubber	1		
46	03611 08075		Hose	1		
47	03511 40018		Hose clip	2		
48	38200 32500		Oil cooler	1		
49	38524 70500		Hose (upper)	1		
50	38524 70600		Hose (lower)	1		
51	03511 20040		Hose clip	4		
52	03403 00512		Grommet	1		
53	03731 42002		Nipple	1		
54	03735 13002		Valve	1		
55	37170 14000		Joint	1		
56	03620 41002		Plug	1		
57	38590 01400		Reserve tank ass'y	1		
58	38591 00400		Bracket	1		
59	38594 04900		Hose	1		

37 - 00 OIL LINE & COOLING

Ref. NO.	Part NO.	Inter-changeability	Part Name	Q' ty	Applicable Ser. No.	Remarks
索引编号	部件编号	互换性	部件名称	数量	适用机号范围	备考
60	03511 40016		Hose clip	软管锁扣	2	
61	37181 03600		Clip	锁扣	4	
62	03731 42003		Nipple	管接头	1	
63	03735 13003		Valve	阀	1	
64	03851 30032		Nylon tube, w/n	带螺母尼龙软管	1	
65	03734 21030		Nipple elbow	螺纹弯接头	1	
66	38440 08410		Shroud, fan	风扇罩	1	
67	38440 08510		Shroud, fan	风扇罩	1	
68	02915 00006		Hexagon flange nut	法兰螺母	14	
69	38450 86100		Guard, fan	风扇保护罩	1	
70	38450 86000		Guard, fan	风扇保护罩	1	
71	02201 06016		Flange bolt	法兰螺栓	12	
72	52350 70020		Cover	盖	1	
73	02201 08020		Flange bolt	法兰螺栓	11	
74	03407 68012		Seal rubber	密封橡胶	1	
75	03407 68060		Seal rubber	密封橡胶	1	
76	03407 66934		Seal rubber	密封橡胶	2	
77	03407 44051		Seal rubber	密封橡胶	1	
78	03407 67304		Seal rubber	密封橡胶	1	
79	03407 66819		Seal rubber	密封橡胶	2	
80	03407 66842		Seal rubber	密封橡胶	2	
81	03403 00303		Grommet	环形圈	1	

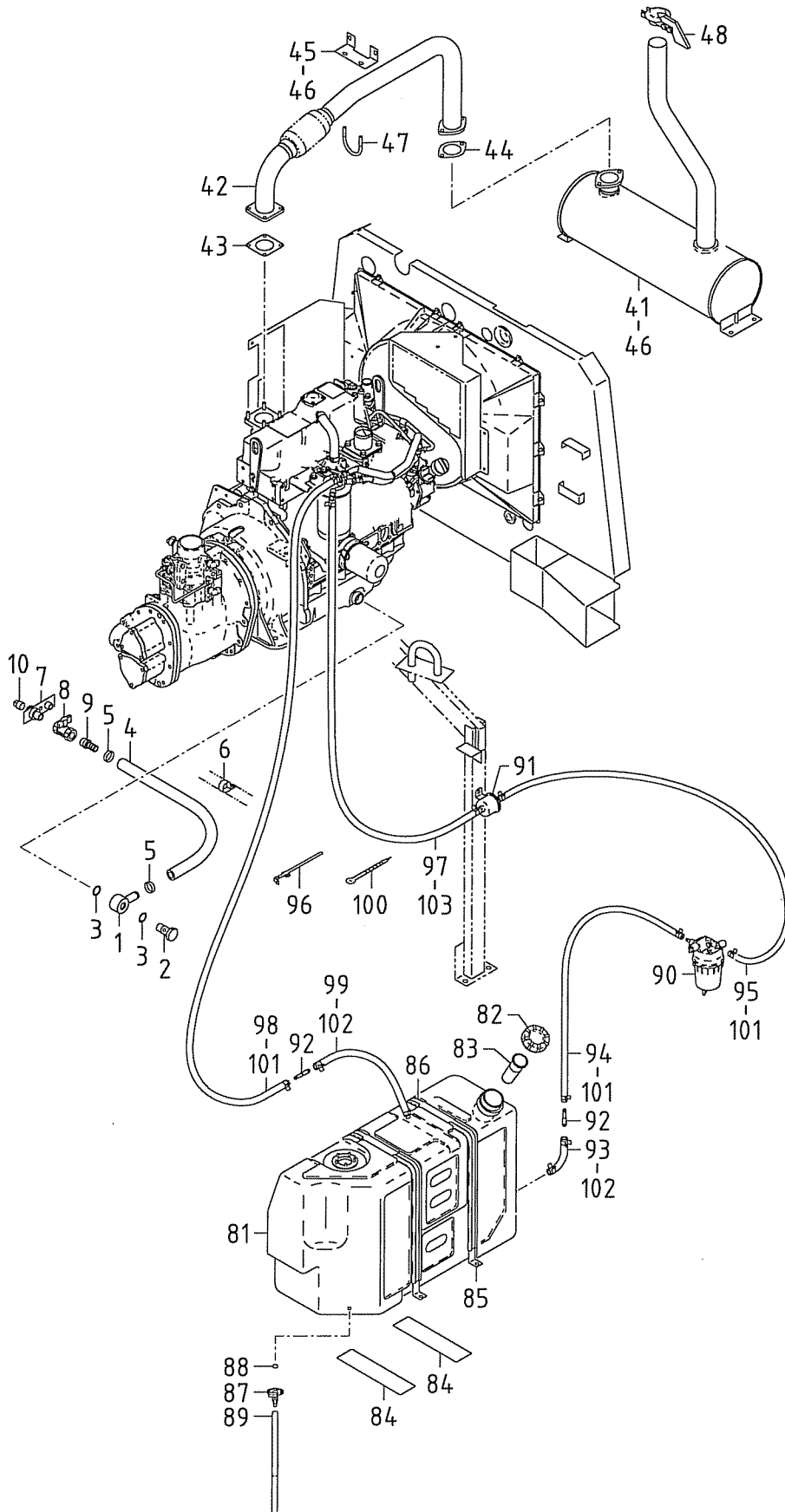


FAN SHROUD

39 - 00 NAME PLATE

Ref. NO. 索引编号	Part NO. 部件编号	Inter- change ability 互换性	Part Name 部件名称	Q' ty 数量	Applicable Ser. No. 适用机号 范围	Remarks 备考
	39 - 00		ACCESSORY GROUP			附件构成
	39600 15730		Instruction manual			使用说明书
	39615 07700		Instruction manual (Eng.)			使用说明书 (引擎)
1	39103 14210		Plate (SER. NO.)	1		标牌 (SER. NO.)
	03260 03010		Blind rivet	4		铆钉
2	39178 35930		Plate (FS CURTIS)	1		铭牌 (FS CURTIS)
3	39178 36830		Plate (FS CURTIS)	2		标牌 (FS CURTIS)
4	39178 36730		Plate (FAC-52P)	2		标牌 (FAC-52P)
5	39178 64130		Plate (in-pane)	1		标牌 (仪表板)
6	39153 67300		Plate (start-stop)	1		标牌 (启动-停机)
7	39176 04810		Plate (notice)	1		标牌 (注意)
8	39178 72500		Plate (diesel fuel)	1		标牌 (柴油)
9	39176 35600		Plate (No fire)	1		标牌 (防止火灾)
10	39176 69300		Plate (lift position)	1		标牌 (起吊位置)
11	39176 73500		Plate (caution, rotation)	1		标牌 (注意, 卷入)
12	39176 69500		Plate (caution, high temp.)	2		标牌 (注意, 高温)
13	39173 04200		Plate, complete	1		标牌 (1组)
14	39176 69500	Z	Plate (caution, high temp.)	1		Const. No. 14~22
15	39176 69600	Z	Plate (caution, radiator cap)	1		标牌 (注意, 散热器盖)
16	39176 69700	Z	Plate (caution, fire)	1		标牌 (注意, 火灾)
17	39176 69800	Z	Plate (warning, compressed air)	1		标牌 (警告, 压缩空气)
18	39176 73300	Z	Plate (warning, exhaust gases)	1		标牌 (警告, 废气)
19	39176 73400	Z	Plate (warning, compressed air)	1		标牌 (警告, 压缩空气)
20	39176 73500	Z	Plate (warning, cooling fan)	1		标牌 (警告, 冷却风扇)
21	39176 73600	Z	Plate (danger, compressed air)	1		标牌 (危险, 压缩空气)
22	39176 73800	Z	Plate (warning, V-belt)	1		标牌 (警告, V型固定带)
23	39173 02100		Plate, complete	1		Const. No. 24~28
24	39189 17100	Z	Plate (fuel drain)	1		标牌 (燃料排油口)
25	39189 17200	Z	Plate (radiator drain)	1		标牌 (冷却水排水口)
26	39189 17300	Z	Plate (eng. oil drain)	1		标牌 (引擎油排油口)
27	39189 17400	Z	Plate (oil cooler drain)	1		标牌 (油冷却器排油口)
28	39189 19100	Z	Plate (receiver oil drain)	2		标牌 (油气罐排油口) (spear: 1)
29	39147 00602		Plate (comp. oil)	1		标牌 (压缩机油)
30	39176 05110		Plate (strainer)	1		标牌 (过滤器)
31	39176 50000		Plate (danger, battery)	1		标牌 (危险, 电瓶)
32	39178 25210		Plate (LLC)	1		标牌 (LLC)
33	39178 37310		Plate (caution, tow machine)	1		标牌 (注意, 牵引)

41 - 00 ENGINE , EXHAUST & FUEL LINE

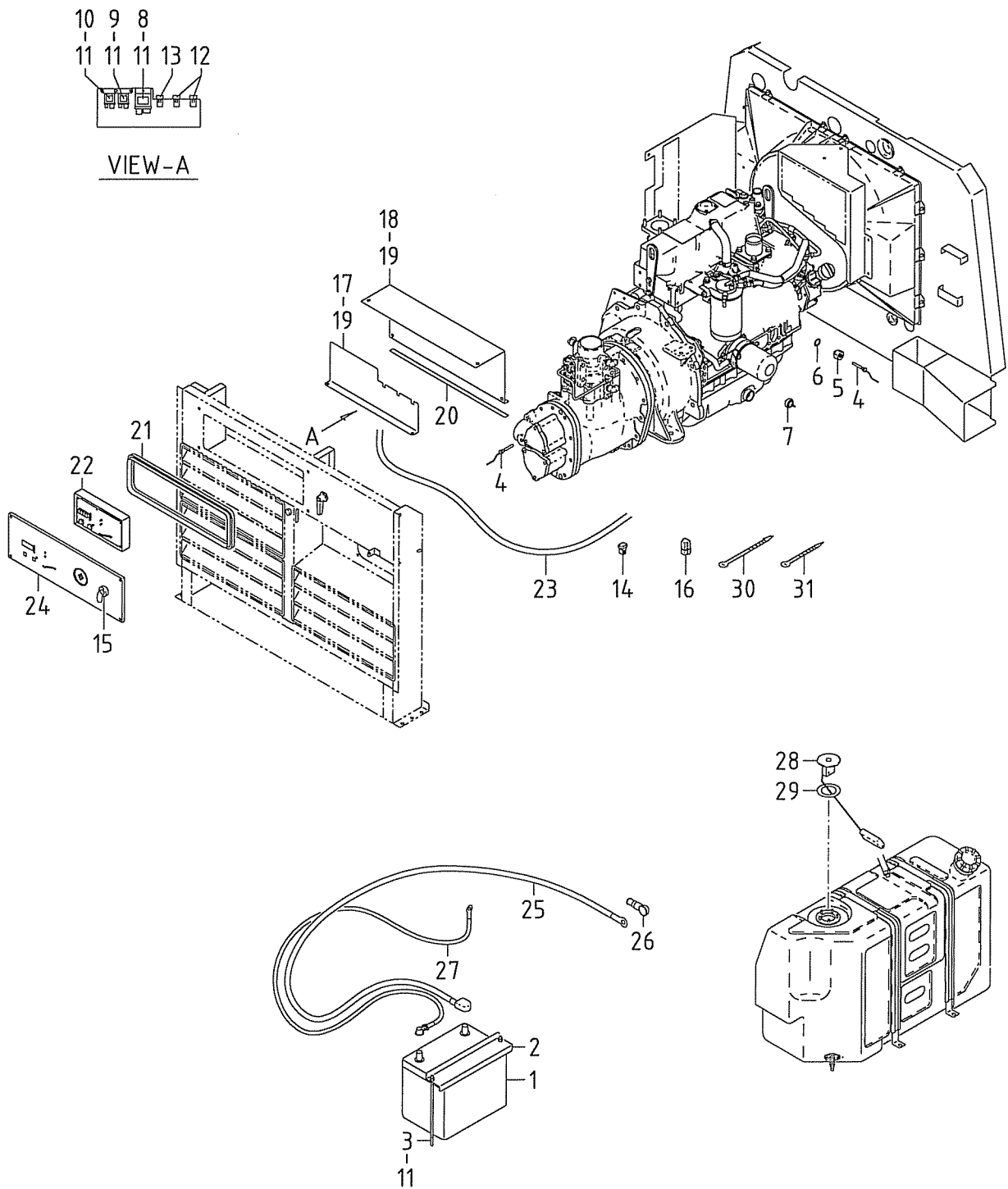


41 - 00 ENGINE, EXHAUST & FUEL LINE

Ref. NO. 索引编号	Part NO. 部件编号	Inter- change ability 互换性	Part Name 部件名称	Q'ty 数量	Applicable Ser. No. 适用机号 范围	Remarks 备考
41 - 00			ENGINE GROUP			引擎构成
1	43534 01702		Ring connector (Nipple)	1		连接环件(管接头)
2	43532 05201		Nipple (Bolt)	1		管接头(螺栓)
3	03407 16022		Gasket	2		垫片
4	03580 19170		Hose	1		软管
5	03511 20035		Hose clip	2		软管锁扣
6	03424 80039		Clip	1		锁扣
	02201 08020		Flange bolt	1		法兰螺栓
7	41250 05600		Bracket	1		支架(板)
	02201 06016		Flange bolt	2		法兰螺栓
8	03735 13004		Valve	1		阀
9	37170 02900		Joint	1		接头
10	03620 41004		Plug	1		堵头
42 - 00			EXHAUST GROUP			排气构成
41	42100 81400		Exhaust muffler	1		消音器
42	42310 96900		Pipe, exhaust	1		管, 排气
	02136 10030		Bolt	2		螺栓 (for muffler)
	02912 06010		Nut	2		螺母 (for muffler)
	03115 06010		Spring washer	2		弹簧垫圈 (for muffler)
	03116 15010		Plain washer	2		平垫圈 (for muffler)
	02915 01008		Hexagon flange nut	4		法兰螺母 (for Eng.)
43	42324 14900		Gasket	1		垫片
44	42324 13600		Gasket	1		垫片
45	42240 30200		Bracket	1		支架(板)
46	02201 08020		Flange bolt	4		法兰螺栓
47	03830 08004		U-bolt	1		U型螺栓
	02915 00008		Hexagon flange nut	2		法兰螺母
48	42210 02700		Cap, muffler	1		盖, 消音器
43 - 00			FUEL GROUP			燃料构成
81	43100 43802		Fuel tank	1		燃料箱
82	43220 02200		Cap	1		盖
83	43210 01700		Strainer	1		过滤器
84	38465 11900		Cushion rubber	2		减振橡胶
85	43310 31300		Belt	2		固定带
	02201 08020		Flange bolt	4		法兰螺栓
86	43322 06200		Cushion	4		减振垫
87	35421 05500		Air valve	1		空气阀
	02248 06012		Bolt, w/w	2		组合螺栓
88	03402 25014		O-ring	1		O型密封圈
89	03600 08025		Hose	1		软管
90	43550 02900		Sedimenter	1		水过滤器
			(YANMAR 129242-55700)			
	02201 08070		Flange bolt	1		法兰螺栓

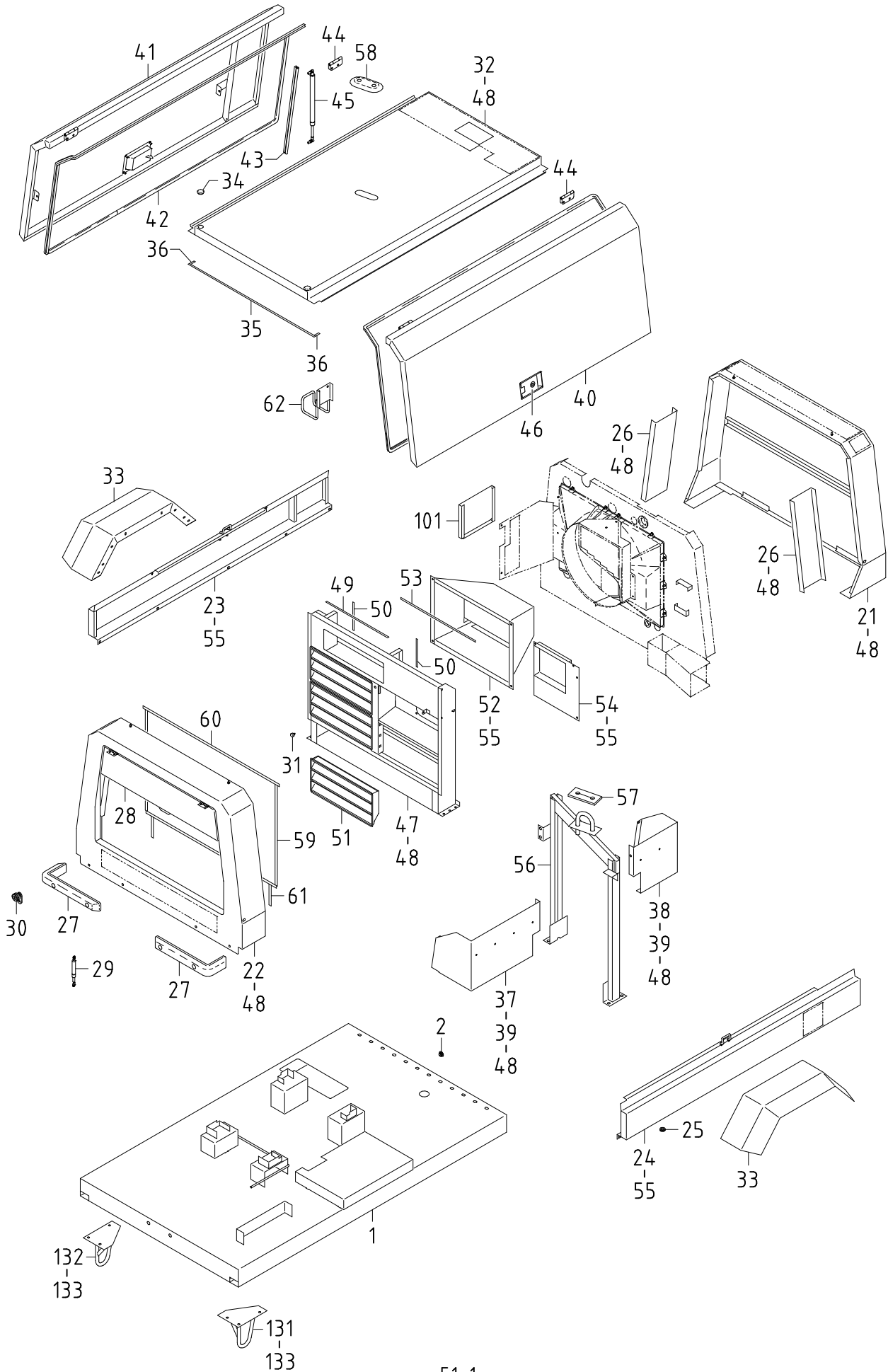
41 - 00 ENGINE, EXHAUST & FUEL LINE

Ref. NO. 索引编号	Part NO. 部件编号	Inter- change ability 互换性	Part Name 部件名称	Q' ty 数量	Applicable Ser. No. 适用机号 范围	Remarks 备考
91	43650 02700		Fuel pump (YANMAR 129612-52100)	1		
	02201 06016		Flange bolt	2		
92	43525 01800		Pipe, connection	2		
93	03600 09012		Hose	1		
94	03600 08031		Hose	1		
95	03600 08099		Hose	1		
96	37181 03600		Clip	1		
97	03600 08050		Hose	1		
98	03600 08080		Hose	1		
99	03600 09012		Hose	1		
100	03425 00001		Vinyl clip	5		
101	03511 40016		Hose clip	6		
102	03511 40020		Hose clip	4		
103	03511 10017		Hose clip	2		



44 - 00 ELECTRIC

Ref. NO.	Part NO.	Inter-change ability	Part Name	Q'ty	Applicable Ser. No.	Remarks
索引编号	部件编号	互换性	部件名称	数量	适用机号范围	备考
44 - 00 ELECTRIC GROUP 电气构成						
1	44210 08200	Y	Battery(G&YU)	1		(85D26R)
1	44210 06600	Y	Battery(DELKOR)	1		(80D26R)
2	44220 25400		Cover	1		
3	02832 06050		Rod	2		
4	44364 06500		Thermo sensor	2		
5	36331 15500		Nipple	1		
6	03407 20016		Gasket	1		
7	44328 21800		Pressure switch	1		
			(YANMAR 114250-39450)			
8	44346 16400		Relay (safety)	1		
			(YANMAR 119802-77200)			
9	44327 05000		Relay (heater)	1		
			(YANMAR 119650-77910)			
10	44327 05000		Relay (solenoid)	1		
			(YANMAR 119650-77910)			
11	02915 00006		Hexagon flange nut	7		
12	44470 02100		Fuse box	2		
	46934 05000		Fuse	2		(5A)
13	44470 02600		Fuse box	1		
	46934 05100		Fuse	1		(30A)
14	44470 02900		Fuse box	1		(50A)
15	44322 07300		Starter switch	1		
	52739 00600		Key	2		
16	46921 02300		Silicon rectifier	1		
17	44250 38810		Bracket	1		
18	44260 41100		Cover	1		
19	02201 06016		Flange bolt	8		
20	03407 66842		Seal rubber	1		
21	03407 64742		Seal rubber	1		
22	46879 54300		Controller complete	1		
23	44490 85430		Wiring harness	1		
24	36110 05610		Instrument panel	1		
	02401 26016		Screw	4		
25	07885 25140		Cable	1		(battery~starter)
	44462 05500		Insulator	1		(battery"+")
	06540 15120		Corrugated tube	1		(protector)
26	44462 00800		Insulator	1		(starter)
27	07888 51100		Cable	1		(earth)
	02201 10020		Flange bolt	1		
28	36159 02202		Sending unit	1		
	02915 00005		Hexagon flange nut	5		
29	36153 01600		Gasket	1		
30	03425 00003		Vinyl clip	1		
31	03425 00001		Vinyl clip	10		

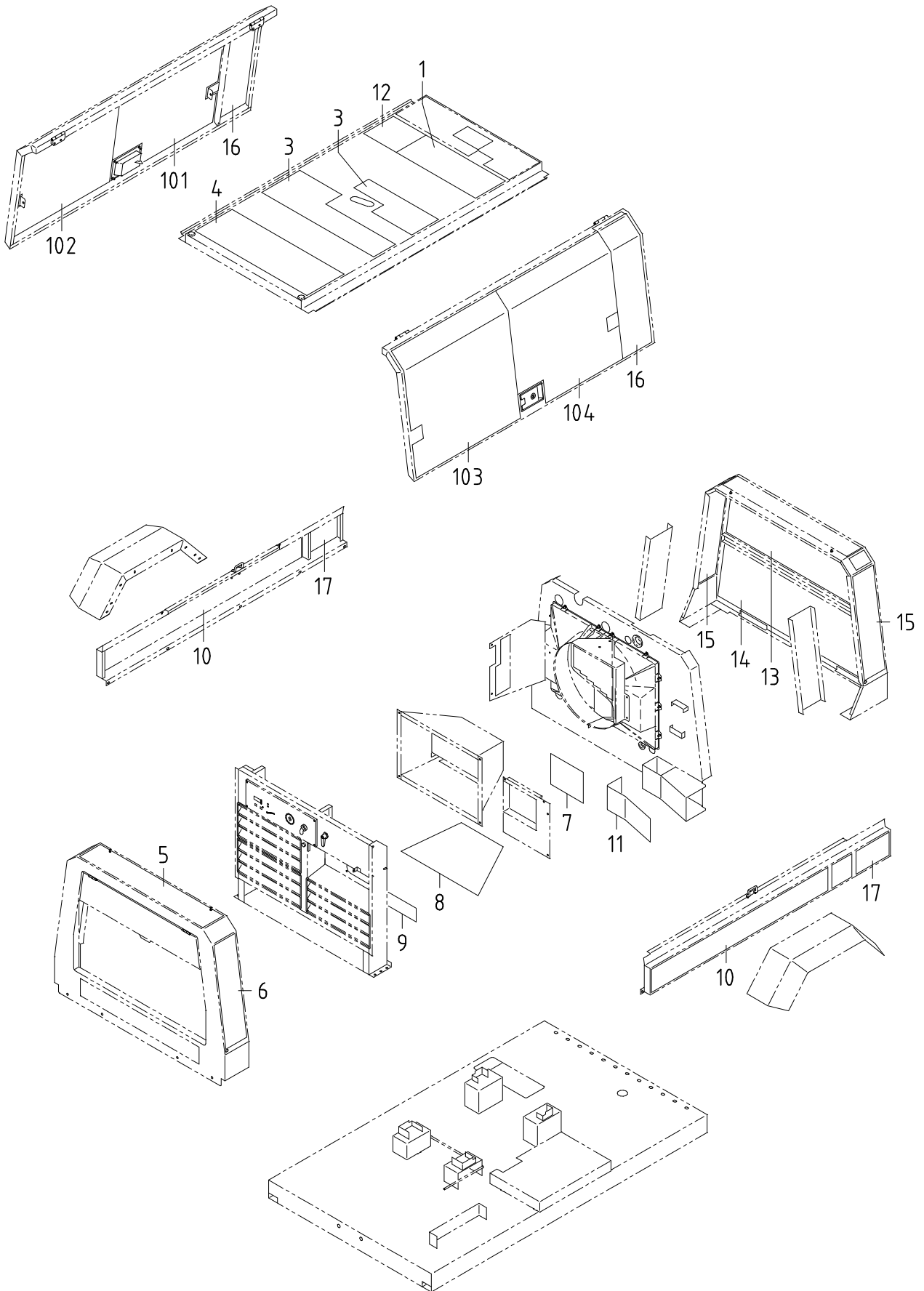


51 - 00 FRAME & BONNET

Ref. NO.	Part NO.	Inter-change ability	Part Name	Q'ty	Applicable Ser. No.	Remarks
索引编号	部件编号	互换性	部件名称	数量	适用机号范围	备考
51 - 00			FRAME GROUP			底盘构成
1	51100 34900		Frame	1		底盘
2	03403 10017		Grommet	2		环形圈
52 - 00			BONNET GROUP			机壳构成
21	52100 98520		Cover	1		盖
22	52100 96920		Cover	1		盖
23	52400 18820		Side cover	1		侧板
24	52400 18720		Side cover	1		侧板
25	03402 00152		Eyelet ring	1		环件
26	52550 19910		Side plate	2		侧板
27	52728 31210		Cushion rubber	2		减振橡胶
	02201 08050		Flange bolt	6		法兰螺栓
	52162 00200		Collar	6		衬
	03116 18008		Plain washer	12		平垫圈
28	52450 28330		Door	1		门
	02305 95010		Screw	4		螺钉
29	GE360 01300		Dumper	1		支撑杆
	03322 06017		Pin	2		销
	03116 12006		Plain washer	2		平垫圈
	03310 16012		Split pin	2		开尾销
30	52723 00900		Lock	1		锁
31	GE240 01100		Rubber cushion	1		密封橡胶
32	52300 29020		Top cover	1		顶盖, 顶板
33	53220 69801		Fender	2		挡泥板
	02201 06016		Flange bolt	12		法兰螺栓
34	52746 02100		Grommet	2		环形圈
35	03407 65009		Seal rubber	1		密封橡胶
36	03407 65029		Seal rubber	2		密封橡胶
37	52750 30300		Bracket	1		支架(板)
38	52750 30400		Bracket	1		支架(板)
39	02401 26016		Screw	2		螺钉
	02915 00006		Hexagon flange nut	2		法兰螺母
40	52450 26030		Door	1		门
41	52450 26130		Door	1		门
42	03407 64730		Seal rubber	2		密封橡胶
43	03407 67234		Seal rubber	2		密封橡胶
44	52480 14800		Hinge	4		铰链
	02136 08016		Bolt	16		螺栓
45	GE360 03000		Dumper	4		支撑杆
	02915 00008		Hexagon flange nut	8		法兰螺母
	45214 02300		Washer	4		垫圈
46	52710 03601		Catch	2		门扣
	52739 03400		Key	2		键
	02915 00006		Hexagon flange nut	8		法兰螺母
47	52370 79801		Duct	1		导板
48	02201 08020		Flange bolt	32		法兰螺栓
49	03407 68043		Seal rubber	1		密封橡胶
50	03407 68031		Seal rubber	2		密封橡胶
51	52370 81800		Duct	3		导板

51 - 00 FRAME & BONNET

Ref. NO. 索引编号	Part NO. 部件编号	Inter- change ability 互换性	Part Name 部件名称	Q' ty 数量	Applicable Ser. No. 适用机号 范围	Remarks 备考
52	52350 72220		Cover	盖	1	
53	03407 68057		Seal rubber	密封橡胶	1	
54	52350 72320		Cover	盖	1	
55	02201 06016		Flange bolt	法兰螺栓	7	
	02915 00006		Hexagon flange nut	法兰螺母	9	
56	52620 48200		Lifting bail	起吊具	1	
	02135 12030		Bolt	螺栓	4	
	03115 02012		Spring washer	弹簧垫圈	4	
	03116 12012		Plain washer	平垫圈	4	
57	52728 16110		Cushion rubber	减振橡胶	1	
58	52746 01800		Cap	盖	1	
59	03407 66831		Seal rubber	密封橡胶	2	
60	03407 66862		Seal rubber	密封橡胶	2	
61	03407 66868		Seal rubber	密封橡胶	2	
62	52660 05100		Hook	吊钩	1	
	02401 28016		Screw	螺钉	2	
39 - 00			ACCESSORY GROUP	附件构成		
101	39200 09600		Tool box	工具箱	1	
	02709 00410		Tapping screw	自攻螺丝	4	
54 - 00			RUNNING GROUP	走行构成		
131	51550 04400		Stand, rear	立柱, 后	1	
132	51550 04500		Stand, rear	立柱, 后	1	
133	02201 10030		Flange bolt	法兰螺栓	6	
	02915 00010		Hexagon flange nut	法兰螺母	6	
	02135 16040		Bolt	螺栓	8	(for draw bar)
	03115 02016		Spring washer	弹簧垫圈	8	(for draw bar)
	03116 12016		Plain washer	平垫圈	8	(for draw bar)
	02102 14030		Bolt	螺栓	8	(for axle)
	03115 42014		Spring washer	弹簧垫圈	8	(for axle)



52 - 00 LINING

Ref. NO. 索引编号	Part NO. 部件编号	Inter- change ability 互换性	Part Name 部件名称	Q' ty 数量	Applicable Ser. No. 适用机号 范围	Remarks 备考
	52900 02420		URETHANE FOAM KIT			Const. No. 1~17
	52901 02420		URETHANE FOAM KIT			Const. No. 101~104
1	52959 14030		Lining	1		
2	52931 85920		Lining	1		
3	52931 86020		Lining	1		
4	52959 25930		Lining	1		
5	52959 15240		Lining	1		
6	52959 88930		Lining	2		
7	52959 21840		Lining	1		
8	52931 86120		Lining	1		
9	52959 69350		Lining	1		
10	52959 41340		Lining	2		
11	52959 96530		Lining	1		
12	52926 26800		Lining	1		
13	52939 08340		Lining	1		
14	52939 08440		Lining	1		
15	52919 09100		Lining	2		
16	52919 77420		Lining	2		
17	52919 17310		Lining	2		
101	52978 16100		Lining	1		
102	52978 16200		Lining	1		
103	52978 16300		Lining	1		
104	52978 16400		Lining	1		

I N D E X

PART NO.	PAGE	REF. NO.	PART NO.	PAGE	REF. NO.	PART NO.	PAGE	REF. NO.
02102 14030	51 - 3	133	02401 26016	44 - 2	24	03402 00152	51 - 2	25
02135 08060	21 - 4	137	02401 26016	51 - 2	39	03402 10070	21 - 3	78
02135 10020	31 - 2	1	02401 28016	51 - 3	62	03402 10095	21 - 2	7
02135 12030	51 - 3	56	02709 00410	51 - 3	101	03402 10125	21 - 3	74
02135 16040	51 - 3	133	02832 06050	44 - 2	3	03402 10125	21 - 3	93
02136 08016	51 - 2	44	02912 06010	41 - 2	42	03402 15050	31 - 3	126
02136 10030	41 - 2	42	02914 60008	36 - 2	28	03402 15075	31 - 3	166
02138 08030	37 - 2	4	02915 00005	44 - 2	28	03402 15140	31 - 3	125
02138 12030	21 - 4	138	02915 00006	37 - 3	68	03402 25008	21 - 3	89
02138 12040	21 - 4	138	02915 00006	44 - 2	11	03402 25014	41 - 2	88
02201 06016	37 - 3	71	02915 00006	51 - 2	39	03402 25021	21 - 3	91
02201 06016	41 - 2	7	02915 00006	51 - 2	46	03402 25024	37 - 2	13
02201 06016	41 - 3	91	02915 00006	51 - 3	55	03402 25029	31 - 3	129
02201 06016	44 - 2	19	02915 00008	41 - 2	47	03402 25030	31 - 2	83
02201 06016	51 - 2	33	02915 00008	51 - 2	45	03402 25032	31 - 3	168
02201 06016	51 - 3	55	02915 00010	51 - 3	133	03402 25038	31 - 3	174
02201 08012	31 - 2	41	02915 01008	41 - 2	42	03402 25044	31 - 2	87
02201 08020	31 - 2	42	02915 20006	36 - 2	30	03402 25045	37 - 2	6
02201 08020	31 - 2	81	02915 20008	31 - 2	2	03403 00303	37 - 3	81
02201 08020	31 - 3	163	02915 20008	36 - 2	31	03403 00512	37 - 2	52
02201 08020	36 - 2	31	02915 20012	31 - 2	3	03403 10017	51 - 2	2
02201 08020	37 - 2	20	03115 02008	21 - 4	137	03407 16022	41 - 2	3
02201 08020	37 - 3	73	03115 02008	37 - 2	4	03407 20016	44 - 2	6
02201 08020	41 - 2	6	03115 02010	31 - 2	1	03407 44051	37 - 3	77
02201 08020	41 - 2	46	03115 02012	21 - 4	138	03407 64632	37 - 2	45
02201 08020	41 - 2	85	03115 02012	51 - 3	56	03407 64730	51 - 2	42
02201 08020	51 - 2	48	03115 02016	51 - 3	133	03407 64742	44 - 2	21
02201 08050	51 - 2	27	03115 06010	41 - 2	42	03407 65009	51 - 2	35
02201 08070	41 - 2	90	03115 30010	21 - 2	29	03407 65029	51 - 2	36
02201 10020	31 - 3	122	03115 30010	21 - 2	32	03407 66819	37 - 3	79
02201 10020	37 - 2	1	03115 30010	21 - 3	71	03407 66831	51 - 3	59
02201 10020	44 - 2	27	03115 30010	21 - 3	136	03407 66842	37 - 3	80
02201 10030	51 - 3	133	03115 30010	31 - 3	127	03407 66842	44 - 2	20
02238 08020	36 - 2	17	03115 40006	36 - 2	19	03407 66862	51 - 3	60
02248 06012	41 - 2	87	03115 40080	21 - 2	17	03407 66868	51 - 3	61
02248 10020	36 - 2	38	03115 42014	51 - 3	133	03407 66934	37 - 3	76
02270 04012	21 - 3	85	03116 12006	36 - 2	30	03407 67234	51 - 2	43
02280 08030	21 - 2	17	03116 12006	51 - 2	29	03407 67304	37 - 3	78
02280 10030	21 - 2	1-1	03116 12008	37 - 2	4	03407 68012	37 - 3	74
02280 10030	21 - 2	9	03116 12012	51 - 3	56	03407 68031	51 - 2	50
02280 10030	21 - 2	29	03116 12016	51 - 3	133	03407 68043	51 - 2	49
02280 10045	21 - 2	32	03116 15010	41 - 2	42	03407 68057	51 - 3	53
02280 10055	21 - 2	9	03116 18008	51 - 2	27	03407 68060	37 - 3	75
02280 10075	21 - 2	1-1	03260 03010	39 - 2	1	03410 06209	21 - 2	30
02280 10075	21 - 3	71	03307 10040	21 - 2	31	03410 06211	21 - 2	11
02282 08025	21 - 3	77	03307 14050	21 - 3	135	03413 10055	21 - 2	12
02282 10030	21 - 3	136	03310 16012	51 - 2	29	03413 20052	21 - 2	26
02283 06025	36 - 2	19	03316 08020	21 - 4	139	03413 20090	21 - 2	21
02283 10035	31 - 3	127	03316 14028	21 - 2	4	03413 40020	21 - 2	25
02305 95010	51 - 2	28	03322 06017	51 - 2	29	03424 80039	41 - 2	6

I N D E X

PART NO.	PAGE	REF. NO.	PART NO.	PAGE	REF. NO.	PART NO.	PAGE	REF. NO.
03425 00001	36 - 3	43	03734 64020	36 - 2	39	21461 31600	21 - 2	18
03425 00001	41 - 3	100	03734 64028	36 - 2	15	21462 22300	21 - 2	19
03425 00001	44 - 2	31	03734 65020	36 - 2	37	21467 40900	21 - 3	62
03425 00003	44 - 2	30	03734 65020	36 - 3	41	21468 02700	21 - 2	23
03511 10017	41 - 3	103	03734 65028	36 - 3	42	21468 04400	21 - 3	136
03511 20035	41 - 2	5	03734 66020	36 - 2	40	21468 09200	21 - 2	28
03511 20040	37 - 2	51	03734 70021	31 - 3	131	21468 19800	21 - 2	32
03511 20070	31 - 2	44	03734 75060	37 - 2	10	21469 31500	21 - 3	63
03511 20090	31 - 2	45	03734 85140	31 - 2	86	21470 14300	21 - 2	22
03511 20100	31 - 2	47	03735 13002	36 - 2	11	21470 14400	21 - 2	27
03511 20110	31 - 2	48	03735 13002	37 - 2	54	22100 41201	21 - 3	71
03511 40016	37 - 3	60	03735 13003	37 - 3	63	22111 28200	21 - 3	72
03511 40016	41 - 3	101	03735 13004	31 - 3	91	22115 11300	21 - 3	77
03511 40018	37 - 2	47	03735 13004	41 - 2	8	22115 12700	21 - 3	73
03511 40020	41 - 3	102	03830 08004	41 - 2	47	22123 04400	36 - 2	29
03580 19170	41 - 2	4	03840 15060	36 - 2	4	22130 05500	36 - 2	21
03600 08025	41 - 2	89	03841 20087	37 - 2	17	22130 09500	21 - 3	80
03600 08031	41 - 3	94	03841 30015	31 - 2	88	22144 07700	31 - 3	170
03600 08050	41 - 3	97	03851 30032	37 - 3	64	22144 10600	21 - 3	86
03600 08080	41 - 3	98	03890 20020	36 - 2	35-1	22144 12800	36 - 2	25
03600 08099	41 - 3	95	03890 20020	36 - 2	36	22144 16600	21 - 3	84
03600 09012	41 - 3	93	03890 20020	36 - 3	44	22144 16700	21 - 3	83
03600 09012	41 - 3	99	03890 20025	36 - 2	34	22150 13801	21 - 3	79
03611 08075	37 - 2	46	03890 20030	36 - 2	33	22152 04900	36 - 2	20
03620 41002	37 - 2	56	03890 20030	36 - 2	35	22153 03400	21 - 2	5
03620 41004	41 - 2	10	03890 20035	36 - 2	6	22200 16100	37 - 2	14
03620 60001	21 - 2	10	03890 20077	36 - 2	7	22314 02500	21 - 2	14
03620 60002	21 - 2	2	03890 30046	36 - 2	32	22314 06200	21 - 2	16
03620 60002	21 - 2	2-1	06540 07060	36 - 2	4	23124 10300	36 - 2	22
03620 60002	21 - 3	75	06540 07085	37 - 2	17	23124 15600	21 - 3	76
03620 60002	36 - 2	12	06540 15120	44 - 2	25	31110 06910	31 - 2	1
03730 04110	31 - 3	90	07885 25140	44 - 2	25	31120 03500	31 - 2	4
03731 21002	36 - 2	9	07888 51100	44 - 2	27	31130 14200	31 - 2	2
03731 21004	31 - 3	89	21201 41502	21 - 2	1	31130 20500	31 - 2	3
03731 30002	36 - 2	14	21201 43900	21 - 2	1-1	31131 04900	37 - 2	44
03731 42002	37 - 2	53	21211 10800	21 - 2	8	31144 14400	36 - 2	26
03731 42003	37 - 3	62	21212 18300	21 - 2	6	32100 40700	31 - 2	31
03731 42008	31 - 3	162	21212 18500	21 - 2	5	32100 44900	31 - 2	35
03731 44002	36 - 2	13	21214 18100	21 - 3	61	32142 08600	31 - 2	33
03732 00602	36 - 2	10	21217 33300	21 - 2	9	32142 11300	31 - 2	37
03734 20015	36 - 2	16	21218 33400	21 - 2	15	32143 11700	31 - 2	32
03734 20201	37 - 2	19	21218 33500	21 - 2	13	32143 11800	31 - 2	36
03734 21010	21 - 2	3	21221 02100	21 - 3	92	32143 12900	31 - 2	49
03734 21020	37 - 2	18	21222 09600	21 - 2	33	32143 13000	31 - 2	50
03734 21030	31 - 2	88	21406 28700	21 - 2	24	32147 03600	31 - 2	39
03734 21030	37 - 3	65	21406 29900	21 - 2	20	32148 00100	31 - 2	40
03734 21151	36 - 2	3	21412 07600	21 - 3	132	32151 01400	31 - 2	34
03734 52021	21 - 3	96	21425 03800	21 - 3	131	32151 01600	31 - 2	38
03734 53021	21 - 3	95	21441 04800	21 - 3	81	32240 42500	31 - 2	42
03734 53021	21 - 3	96-1	21441 04900	21 - 3	82	32331 78700	31 - 2	46

I N D E X

PART NO.	PAGE	REF. NO.	PART NO.	PAGE	REF. NO.	PART NO.	PAGE	REF. NO.			
32331	78800	31 - 2	43	37189	34400	37 - 2	15	39178	64130	39 - 2	5
33100	76110	31 - 2	81	37215	02800	37 - 2	4	39178	72500	39 - 2	8
33231	02500	31 - 2	82	37231	02100	37 - 2	5	39189	17100	39 - 2	24
33238	01600	31 - 3	128	37400	07600	37 - 2	2	39189	17200	39 - 2	25
33410	03600	31 - 3	171	37400	16100	37 - 2	1	39189	17300	39 - 2	26
34210	32600	31 - 3	121	37438	08900	37 - 2	3	39189	17400	39 - 2	27
34220	16101	31 - 3	123	37510	37400	37 - 2	20	39189	19100	39 - 2	28
34250	18301	31 - 3	124	37580	01900	37 - 2	16	39200	09600	51 - 3	101
34260	07000	31 - 3	130	37730	02001	31 - 3	92	41250	05600	41 - 2	7
35108	07300	31 - 3	122	38100	43600	37 - 2	41	42100	81400	41 - 2	41
35200	15200	31 - 2	84	38200	32500	37 - 2	48	42210	02700	41 - 2	48
35300	17000	31 - 3	164	38410	05700	37 - 2	41	42240	30200	41 - 2	45
35301	20200	31 - 3	165	38420	95400	37 - 2	42	42310	96900	41 - 2	42
35303	03300	31 - 3	169	38420	96000	37 - 2	43	42324	13600	41 - 2	44
35303	08400	31 - 3	167	38440	08410	37 - 3	66	42324	14900	41 - 2	43
35421	01600	36 - 2	5	38440	08510	37 - 3	67	43100	43802	41 - 2	81
35421	05500	41 - 2	87	38450	86000	37 - 3	70	43210	01700	41 - 2	83
35421	07800	31 - 3	161	38450	86100	37 - 3	69	43220	02200	41 - 2	82
35470	41200	31 - 3	163	38465	11900	41 - 2	84	43310	31300	41 - 2	85
36110	05610	44 - 2	24	38524	70500	37 - 2	49	43322	06200	41 - 2	86
36131	03100	36 - 2	2	38524	70600	37 - 2	50	43525	01800	41 - 3	92
36141	18600	36 - 2	1	38590	01400	37 - 2	57	43532	05201	41 - 2	2
36153	01600	44 - 2	29	38591	00400	37 - 2	58	43534	01702	41 - 2	1
36159	02202	44 - 2	28	38594	04900	37 - 2	59	43550	02900	41 - 2	90
36221	04500	36 - 2	31	39103	14210	39 - 2	1	43650	02700	41 - 3	91
36280	33301	36 - 2	30	39147	00602	39 - 2	29	44210	06600	44 - 2	1
36331	15500	44 - 2	5	39153	67300	39 - 2	6	44210	08200	44 - 2	1
36349	22400	21 - 3	94	39173	02100	39 - 2	23	44220	25400	44 - 2	2
36349	22800	21 - 3	94-1	39173	04200	39 - 2	13	44250	38810	44 - 2	17
36400	19000	36 - 2	8	39176	04810	39 - 2	7	44260	41100	44 - 2	18
36400	21901	36 - 2	17	39176	05110	39 - 2	30	44322	07300	44 - 2	15
36421	03600	36 - 2	18	39176	35600	39 - 2	9	44327	05000	44 - 2	9
36422	01900	36 - 2	19	39176	50000	39 - 2	31	44327	05000	44 - 2	10
36428	00700	21 - 3	88	39176	69300	39 - 2	10	44328	21800	44 - 2	7
36429	00801	21 - 3	87	39176	69500	39 - 2	12	44346	16400	44 - 2	8
36435	01400	36 - 2	24	39176	69500	39 - 2	14	44364	06500	44 - 2	4
36437	01500	36 - 2	23	39176	69600	39 - 2	15	44462	00800	44 - 2	26
36621	01401	21 - 3	85	39176	69700	39 - 2	16	44462	05500	44 - 2	25
36623	00800	21 - 3	90	39176	69800	39 - 2	17	44470	02100	44 - 2	12
36771	23500	36 - 2	38	39176	73300	39 - 2	18	44470	02600	44 - 2	13
37110	04600	37 - 2	11	39176	73400	39 - 2	19	44470	02900	44 - 2	14
37111	22301	37 - 2	7	39176	73500	39 - 2	11	44490	85430	44 - 2	23
37112	49000	37 - 2	8	39176	73500	39 - 2	20	45214	02300	51 - 2	45
37114	25000	37 - 2	9	39176	73600	39 - 2	21	46879	54300	44 - 2	22
37160	47910	31 - 2	85	39176	73800	39 - 2	22	46921	02300	44 - 2	16
37170	02900	41 - 2	9	39178	25210	39 - 2	32	46934	05000	44 - 2	12
37170	14000	37 - 2	55	39178	35930	39 - 2	2	46934	05100	44 - 2	13
37181	03600	37 - 3	61	39178	36730	39 - 2	4	51100	34900	51 - 2	1
37181	03600	41 - 3	96	39178	36830	39 - 2	3	51550	04400	51 - 3	131
37187	01200	31 - 3	172	39178	37310	39 - 2	33	51550	04500	51 - 3	132

I N D E X

PART NO.	PAGE	REF. NO.	PART NO.	PAGE	REF. NO.	PART NO.	PAGE	REF. NO.
52100 96920	51 - 2	22	61111 13300	21 - 3	133			
52100 98520	51 - 2	21	61122 05400	21 - 3	134			
52162 00200	51 - 2	27	GD920 14300	31 - 3	173			
52300 29020	51 - 2	32	GD920 14700	37 - 2	12			
52350 70020	37 - 3	72	GE240 01100	51 - 2	31			
52350 72220	51 - 3	52	GE360 01300	51 - 2	29			
52350 72320	51 - 3	54	GE360 03000	51 - 2	45			
52370 79801	51 - 2	47						
52370 81800	51 - 2	51						
52400 18720	51 - 2	24						
52400 18820	51 - 2	23						
52450 26030	51 - 2	40						
52450 26130	51 - 2	41						
52450 28330	51 - 2	28						
52480 14800	51 - 2	44						
52550 19910	51 - 2	26						
52620 48200	51 - 3	56						
52660 05100	51 - 3	62						
52710 03601	51 - 2	46						
52723 00900	51 - 2	30						
52728 16110	51 - 3	57						
52728 31210	51 - 2	27						
52739 00600	44 - 2	15						
52739 03400	51 - 2	46						
52746 01800	51 - 3	58						
52746 02100	51 - 2	34						
52750 30300	51 - 2	37						
52750 30400	51 - 2	38						
52919 09100	52 - 2	15						
52919 17310	52 - 2	17						
52919 77420	52 - 2	16						
52926 26800	52 - 2	12						
52931 85920	52 - 2	2						
52931 86020	52 - 2	3						
52931 86120	52 - 2	8						
52939 08340	52 - 2	13						
52939 08440	52 - 2	14						
52959 14030	52 - 2	1						
52959 15240	52 - 2	5						
52959 21840	52 - 2	7						
52959 25930	52 - 2	4						
52959 41340	52 - 2	10						
52959 69350	52 - 2	9						
52959 88930	52 - 2	6						
52959 96530	52 - 2	11						
52978 16100	52 - 2	101						
52978 16200	52 - 2	102						
52978 16300	52 - 2	103						
52978 16400	52 - 2	104						
53220 69801	51 - 2	33						

ENGINE PARTS

ENGINE MODEL	YANMAR 4TNV88-BDHKS
--------------	---------------------

P R E F A C E

1. This parts catalog is the 1st edition of 4TNV88-BDHKS for HOKUETSU INDUSTRIES CO.,LTD.

Pub.No. : OCD11-G11300

Published : May, 2010

2. Model name

Engine model	Vehicle	Vehicle made by
4TNV88-BDHKS	ENGINE COMPRESSOR	HOKUETSU INDUSTRIES CO.,LTD.

Directions for the Parts Catalog.

1. The parts stipulated in this Parts Catalog are not necessarily standard equipped parts.
2. Parts may change without prior notice.
3. The following is an example of the Parts Catalog format.

REF.	LEV.	PARTS NO.	DESCRIPTION	Q'TY						I	R
				(A)	(B)	(C)	(D)	(E)	(F)		
1	1	729595-51390	FUEL INJECTION PUMP	1	1	1	1	1			1
1-1	1	729595-51391	FUEL INJECTION PUMP	1	1	1	1	1		N	1
		(A=E00185) (B=E00200)									
3	2	26022-060162	SCREW M 6X 16	9	9	9	9	9			
3-1	2	26022-060162	SCREW M 6X 16	4	4	4	4	4		K	
		(A=E00156) (B=E00156) (C=E00156) (D=E00156) (E=E00156)									
4	2	129470-51040	CAMSHAFT	1	1	1	1	1			
5	2	122710-51050	BEARING, ROLLER	2	2	2	2	2			
6	2	129470-51060	RETAINER	1	1	1	1	1			

Remarks
(1) BOOST COMPEMSATOR TYPE. OPTIONAL PART, TO E00155,(4JH-DT, 4JH-DTZ

① Ref. No.

The Ref. No. listed may not be in accordance with the illustration Ref. No.

(Ex.) Illustration No.

List Ref No.

1

1

(Before change)

1-1

(After change)

For interchangeable symbols N, R and K, illustrations for new parts may be abbreviated.

② Lev. (Level)

Level indication

The numbers below indicate the level of relativity towards the main part.

1 ----- Main parts (Assembly parts)

2 ----- Sub component included in " 1 ".

3 ----- Sub component included in " 2 ".

Note) Parts that are not for sale are partially illustrated but not listed.

③ Interchangeability Mark

When a part change takes place, one of the following interchangeability symbols is indicated beside the part.

Symbol	Interchangeability	Contents note
N	Old $\begin{matrix} \leftarrow \text{Yes} \\ \text{No} \rightarrow \end{matrix}$ New	New Part is interchangeable for Old Part but Old Part is not interchangeable for New Part.
Q	Old $\begin{matrix} \leftarrow \text{No} \\ \text{Yes} \rightarrow \end{matrix}$ New	New Part is not interchangeable for Old Part but Old Part is interchangeable for New Part.
R	Old $\begin{matrix} \leftarrow \text{Yes} \\ \text{Yes} \rightarrow \end{matrix}$ New	New/ Old Parts are both interchangeable.
S	Old $\begin{matrix} \leftarrow \text{No} \\ \text{No} \rightarrow \end{matrix}$ New	New/ Old Parts are both not interchangeable.
W		Part newly added.
Z		Part discontinued.
F		Not interchangeable by a single part but interchangeable together with related parts.
K		Changes only for used parts quantities.

④ Effective Machine No.

When a part changes, the effective Machine No. will be indicated in the (A)-(F) column.

Product Symbol	Product No.	Product Symbol	Product No.
C	Clutch No. Compressor No.	F	Machine No. (Agricultural Equip.)
D	Drive No.	M	Machine No.
E	Engine No.		

Note 1) A date may follow the symbol. (Ex.) 1996.01

Note 2) "XXXXX" and "ZZZZZ" are for parts that could not be predicted or for engine models that could not be identified.

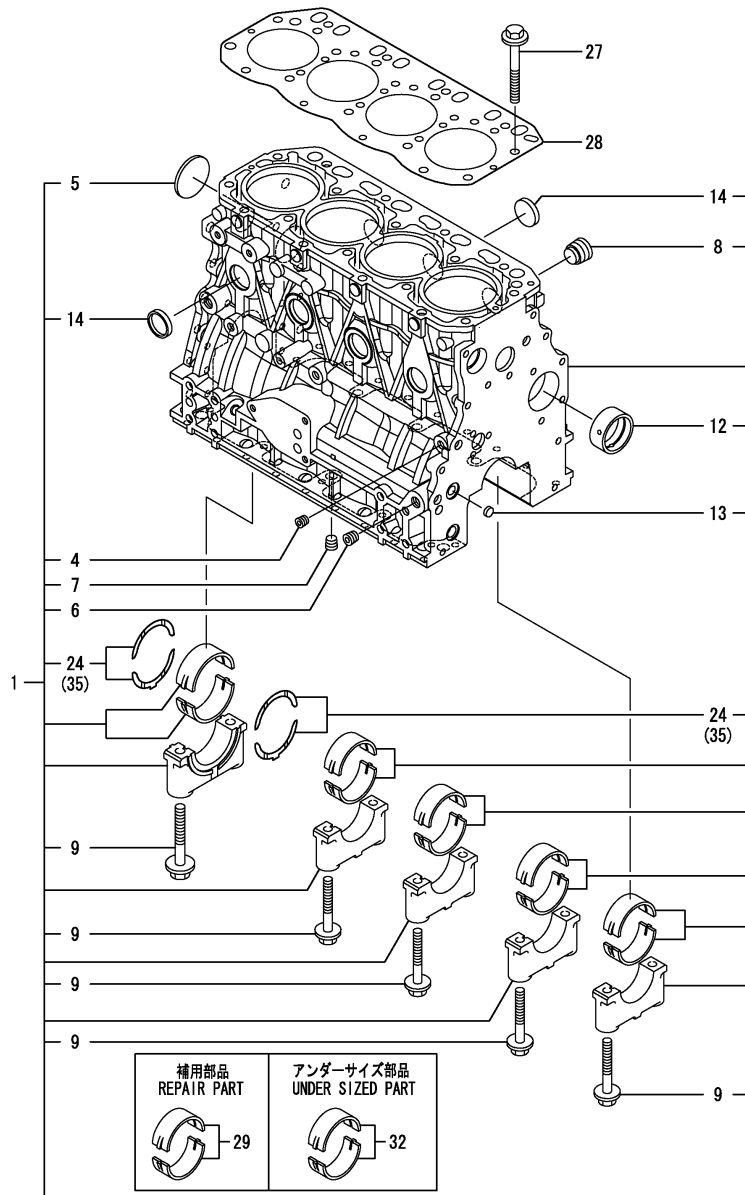
Note 3) (A=E00185) is the E (Engine Serial Number) for the column (A) model (in this case 4JH-DT) after the parts design change.

⑤ Remarks Mark

Figures or alphabets (symbols) are entered in the remarks column.

The comments (remarks) on parts that are indicated at the bottom of the illustration are the same symbols as those stated above.

Fig.1. CYLINDER BLOCK



Remarks
 (1)Repair part.
 (2)Under-sized(U.S.=0.25)part.
 (3)Over-sized(O.S.=0.25)part.

OCD11-G11300 1. CYLINDER BLOCK

(A)=4TNV88-BDHKS

(B)=

(C)=

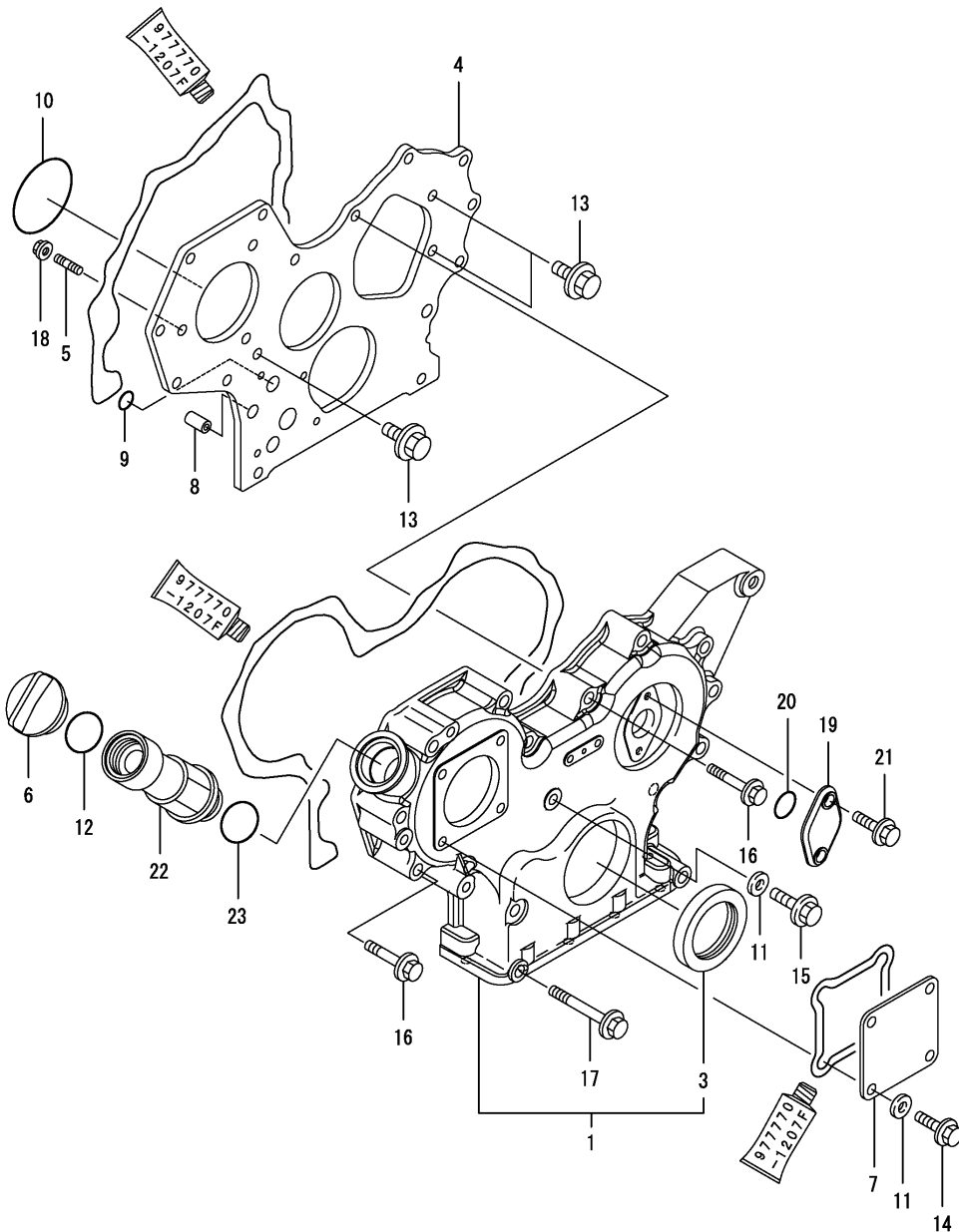
(D)=

(E)=

(F)=

REF.	LEV.	PARTS NO.	DESCRIPTION	QTY						I	R
				(A)	(B)	(C)	(D)	(E)	(F)		
1	1	729602-01560	BLOCK ASSY, CYLINDER	1							
4	2	124060-01050	PLUG, PT1/8	1							
5	2	129001-01250	PLUG, 50	1							
6	2	124160-01910	PLUG, PT1/4	2							
7	2	124160-01910	PLUG, PT1/4	1							
8	2	171051-01921	PLUG, NPTF1	1							
9	2	129150-02020	BOLT, METAL CAP	10							
12	2	129795-02412	BUSH, CAMSHAFT A	1							
13	2	27241-120000	PLUG, 12	2							
14	2	27241-300000	PLUG 30	8							
24	2	129150-02931	METAL ASSY, THRUST	2							
27	1	129150-01200	BOLT, CYLINDER HEAD	18							
28	1	129407-01340	GASKET, CYL.HEAD	1							
29	1	129001-02931	MAIN BEARING SET	5							1
32	1	129150-02871	MAIN METAL US=0.25	5							2
35	1	129150-02941	BEARING, THRUST.25OS	1							3

Fig.2. GEAR HOUSING



(A)=4TNV88-BDHKS

(B)=

(C)=

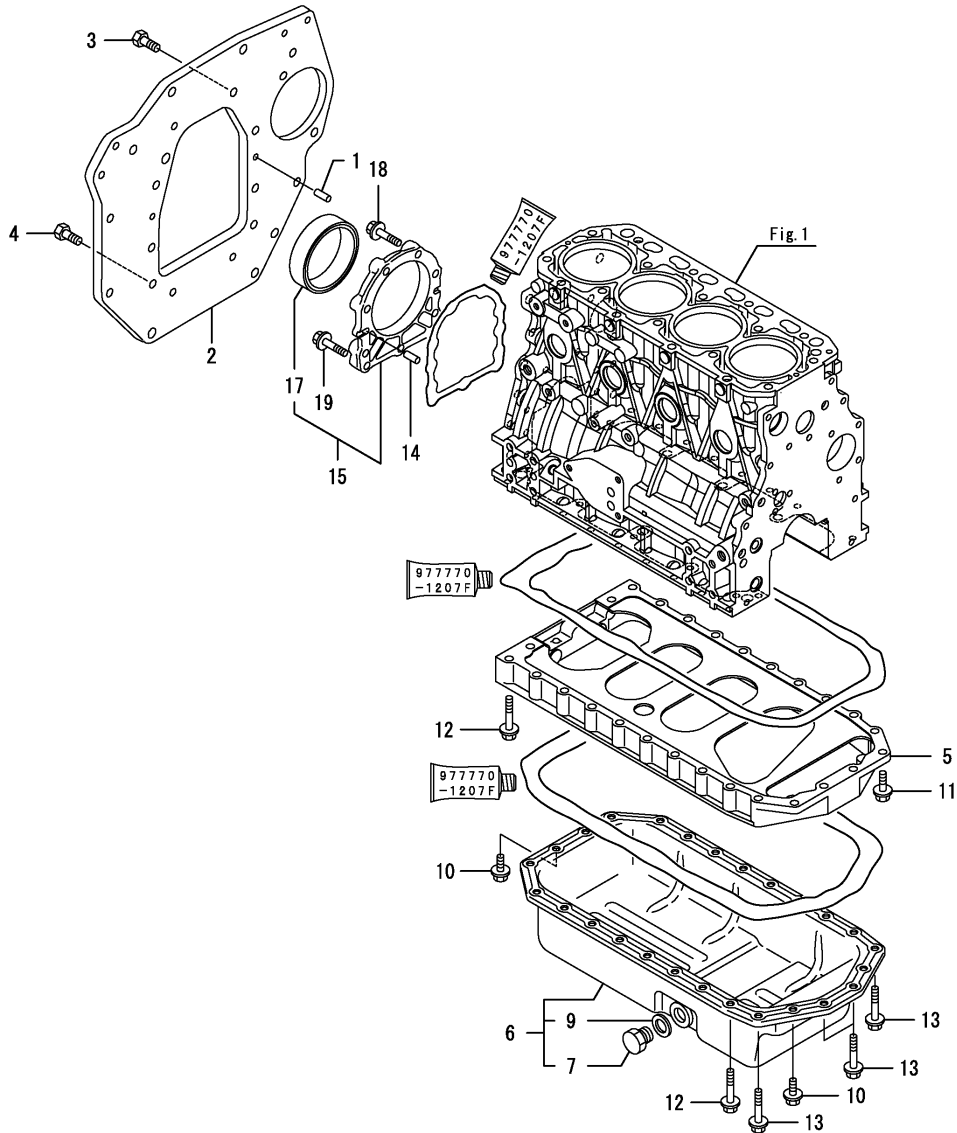
(D)=

(E)=

(F)=

REF.	LEV.	PARTS NO.	DESCRIPTION	QTY						I	R
				(A)	(B)	(C)	(D)	(E)	(F)		
1	1	719803-01500	COVER ASSY,GEAR CASE	1							
3	2	119934-01800	SEAL, OIL	1							
4	1	119803-01520	FLANGE, GEAR CASE	1							
5	1	119802-01561	STUD, M8X25	3							
6	1	124160-01751	COVER, FILLER	1							
7	1	124240-01871	COVER, PUMP	1							
8	1	129795-01950	PIPE, KNOCK	2							
9	1	119609-32040	O-RING P16	2							
10	1	121850-51960	O-RING, F.I.PUMP	1							
11	1	22190-080002	SEAL WASHER 8S	5							
12	1	24311-000320	O-RING 1A P-32.0	1							
13	1	26106-080162	BOLT M 8X 16 PLATED	3							
14	1	26106-080162	BOLT M 8X 16 PLATED	4							
15	1	26106-080302	BOLT M 8X 30 PLATED	1							
16	1	26106-080552	BOLT M 8X 55 PLATED	12							
17	1	26106-080852	BOLT M 8X 85 PLATED	3							
18	1	26306-080002	NUT, M8	3							
19	1	121023-01551	COVER, TACHOMETER	1							
20	1	24341-000240	O-RING 1A S-24.0	1							
21	1	26106-060162	BOLT M 6X 16 PLATED	2							
22	1	171031-11741	PIPE, OIL FEED	1							
23	1	24311-000320	O-RING 1A P-32.0	1							

Fig.3. MOUNTING FLANGE & OIL SUMP



OCD11-G11300 3. MOUNTING FLANGE & OIL SUMP

(A)=4TNV88-BDHKS

(B)=

(C)=

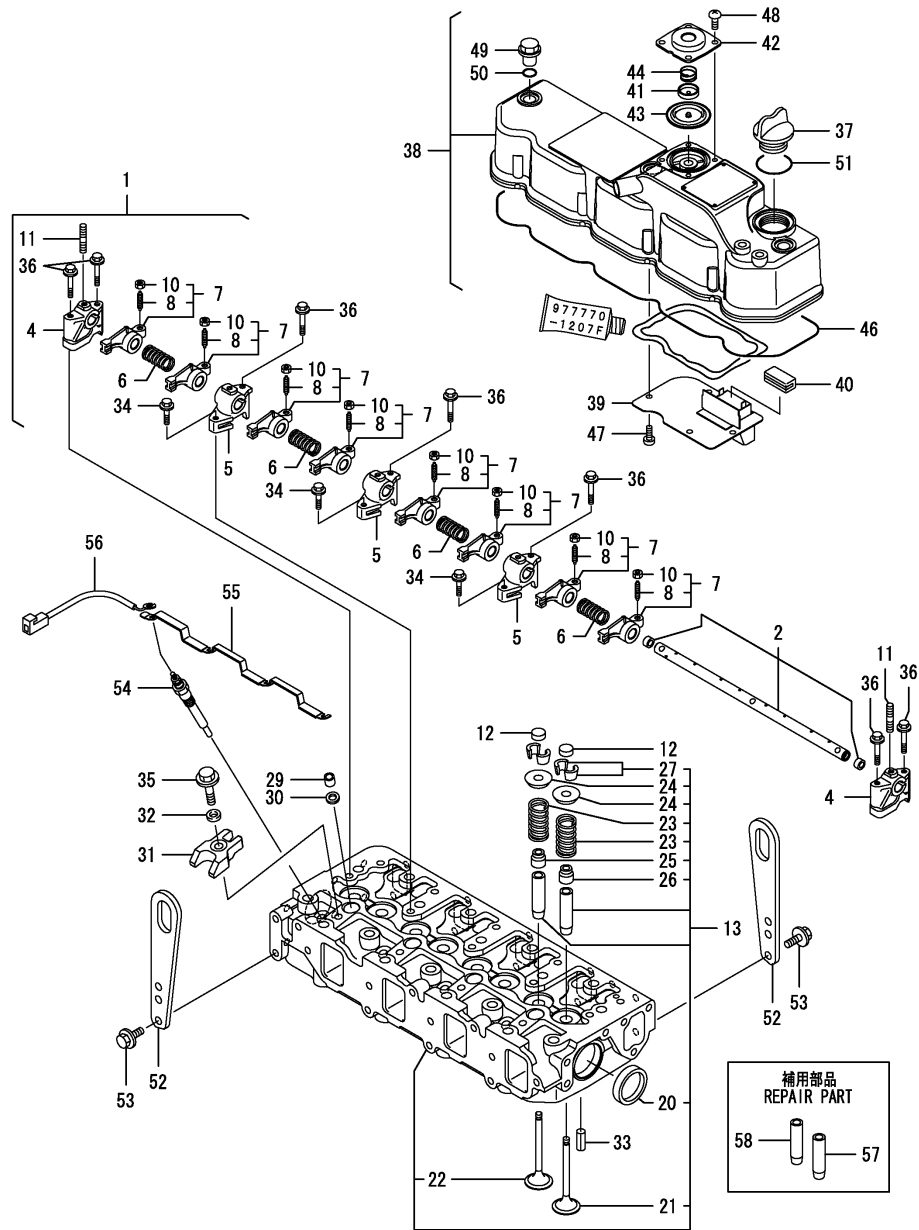
(D)=

(E)=

(F)=

REF.	LEV.	PARTS NO.	DESCRIPTION	QTY						I	R
				(A)	(B)	(C)	(D)	(E)	(F)		
1	1	129100-01580	PIN, PARALLEL	2							
2	1	129129-01600	FLANGE, MOUNTING	1							
3	1	26206-100202	BOLT M10X20	6							
4	1	26206-100252	BOLT M10X25	2							
5	1	129400-01730	SPACER, OIL SUMP	1							
6	1	129400-01770	SUMP ASSY, LUB.OIL	1							
7	2	119640-01640	DRAIN PLUG M22	1							
9	2	22190-220002	WASHER, 22	1							
10	1	26106-080162	BOLT M 8X 16 PLATED	4							
11	1	26106-080252	BOLT M 8X 25 PLATED	2							
12	1	26106-080452	BOLT M 8X 45 PLATED	20							
13	1	26106-080502	BOLT M 8X 50 PLATED	4							
14	1	129100-01580	PIN, PARALLEL	2							
15	1	129648-01600	CASE ASSY, OIL SEAL	1							
17	2	129648-01780	SEAL, OIL	1							
18	1	129486-01670	BOLT, M8X30	6							
19	1	26106-080352	BOLT M 8X 35 PLATED	3							

Fig.4. CYLINDER HEAD & BONNET



(A)=4TNV88-BDHKS

(B)=

(C)=

(D)=

(E)=

(F)=

REF.	LEV.	PARTS NO.	DESCRIPTION	Q'TY						I	R
				(A)	(B)	(C)	(D)	(E)	(F)		
1	1	129601-11241	SHAFT ASSY, ROCKER	1							
2	2	129601-11251	SHAFT, ROCKER ARM	1							
4	2	119802-11260	SUPPORT, ARM A	2							
5	2	119802-11270	SUPPORT, ARM B	3							
6	2	129150-11280	SPRING, SHAFT	4							
7	2	129004-11650	ARM KIT, ROCKER	8							
8	3	129150-11230	SCREW, VALVE ADJUST	8							
10	3	129150-11750	NUT, M8	8							
11	2	26226-080182	STUD M 8X 18 PLATED	3							
12	1	129150-11370	CAP, VALVE	8							
13	1	129688-11700	HEAD ASSY, CYLINDER	1							
20	2	27241-400000	PLUG 40	2							
21	2	129005-11100	VALVE, INTAKE	4							
22	2	129100-11112	VALVE, EXHAUST	4							
23	2	129795-11120	SPRING, VALVE	8							
24	2	129795-11180	RETAINER, SPRING	8							
25	2	121400-11340	SEAL, VALVE STEM	4							
26	2	124460-11340	SEAL, VALVE STEM	4							
27	2	27310-080001	COTTER, 8	8							
29	1	119802-11870	PROTECTOR, NOZZLE	4							
30	1	119625-11880	SEAT, NOZZLE	4							
31	1	129004-11900	RETAINER, NOZZLE	4							
32	1	120270-54410	WASHER, INJECTOR	4							
33	1	22351-060012	SPRING PIN 6X12	2							
34	1	26106-080252	BOLT M 8X 25 PLATED	3							
35	1	26106-080352	BOLT M 8X 35 PLATED	4							
36	1	26106-080502	BOLT M 8X 50 PLATED	7							
37	1	124160-01751	COVER, FILLER	1							
38	1	129601-11350	BONNET ASSY, HEAD	1							
39	2	129004-03010	PLATE, BAFFLE	1							
40	2	129150-03070	BAFFLE, BREATHER	1							
41	2	119802-03110	PLATE, CENTER	1							
42	2	119802-03121	COVER, DIAPHRAGM	1							
43	2	119802-03130	DIAPHRAGM	1							
44	2	119802-03141	SPRING, DIAPHRAGM	1							
46	2	129601-11310	GASKET, BONNET	1							
47	2	22857-500100	SCREW, M5X10	4							
48	2	22857-500100	SCREW, M5X10	4							
49	1	124160-11360	KNOB	3							
50	1	24311-000120	O-RING 1A P-12.0	3							
51	1	24311-000320	O-RING 1A P-32.0	1							
52	1	129900-07900	LIFTER, ENGINE	2							
53	1	26106-080162	BOLT M 8X 16 PLATED	4							
54	1	129008-77800	PLUG, GLOW	4							
55	1	129604-77821	CONNECTOR, GLOW PLUG	1							
56	1	129630-77800	HARNES, GLOW PLUG	1							
57	1	120130-11860	GUIDE, VALVE	4							1
58	1	129150-11810	GUIDE, EXHAUST VALVE	4							1

Remarks
(1)Repair part.

N:Old $\begin{matrix} \leftarrow \text{Yes} \\ \text{No} \end{matrix}$ New, Q:Old $\begin{matrix} \leftarrow \text{No} \\ \text{Yes} \end{matrix}$ New, R:Old $\begin{matrix} \leftarrow \text{Yes} \\ \text{Yes} \end{matrix}$ New, S:Old $\begin{matrix} \leftarrow \text{No} \\ \text{No} \end{matrix}$ New, W:Add, Z:Discontinued, F:Interchangeable by set, K:Q'ty Change

Fig.5. SUCTION MANIFOLD

OCD11-G11300 5. SUCTION MANIFOLD

(A)=4TNV88-BDHKS

(B)=

(C)=

(D)=

(E)=

(F)=

REF.	LEV.	PARTS NO.	DESCRIPTION	QTY						I	R
				(A)	(B)	(C)	(D)	(E)	(F)		
1	1	129005-03080	PIPE, BREATHER	1							
2	2	129410-03990	CLAMP 22	2							
3	1	129602-12101	MANIFOLD, AIR INTAKE	1							
4	1	129407-12110	GASKET, MANIFOLD	1							
5	1	26106-080202	BOLT M 8X 20 PLATED	6							
6	1	26106-080802	BOLT M 8X 80 PLATED	1							
7	1	129486-12581	JOINT, MANIFOLD	1							
8	1	129150-77511	GASKET, AIR HEATER	1							
9	1	26106-080202	BOLT M 8X 20 PLATED	4							

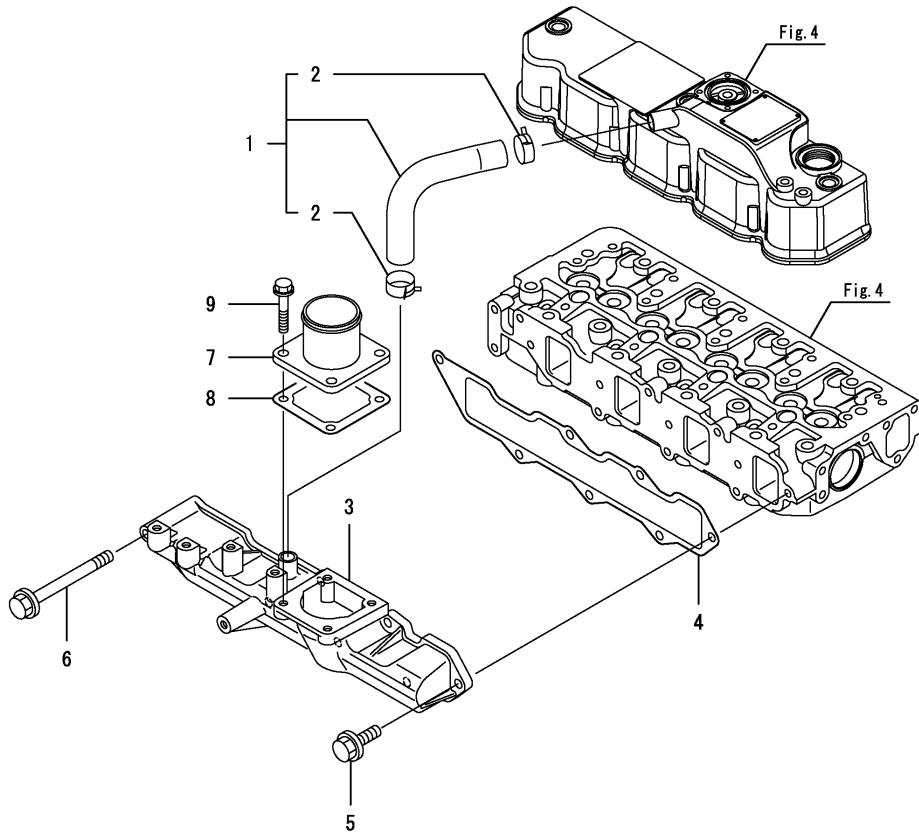


Fig.6. EXHAUST MANIFOLD

OCD11-G11300 6. EXHAUST MANIFOLD

(A)=4TNV88-BDHKS

(B)=

(C)=

(D)=

(E)=

(F)=

REF.	LEV.	PARTS NO.	DESCRIPTION	Q'TY						I	R
				(A)	(B)	(C)	(D)	(E)	(F)		
1	1	129411-13100	MANIFOLD, EXHAUST	1							
2	1	129550-13110	GASKET, EXH.MANIFOLD	1							
3	1	123900-13610	STUD, M8X80	2							
4	1	123900-13630	BOLT, M8X80	6							
5	1	119131-18320	STUD, M8X22	4							
6	1	26306-080002	NUT, M8	2							
7	1	129930-13201	GASKET, SILENCER	1							

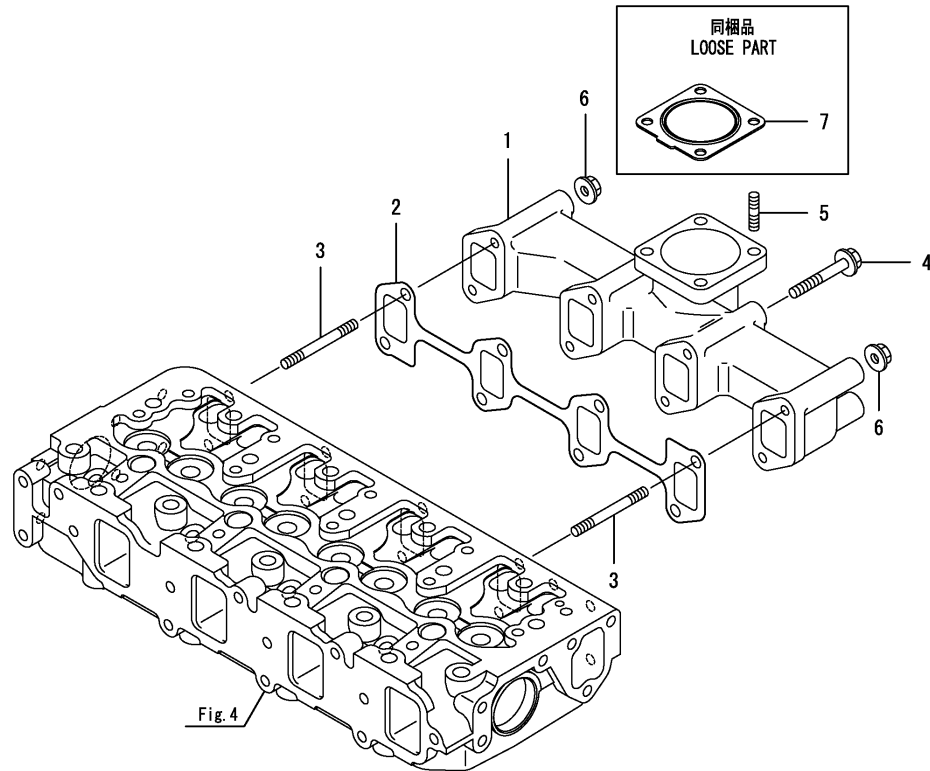


Fig.7. CAMSHAFT & DRIVING GEAR

(A)=4TNV88-BDHKS

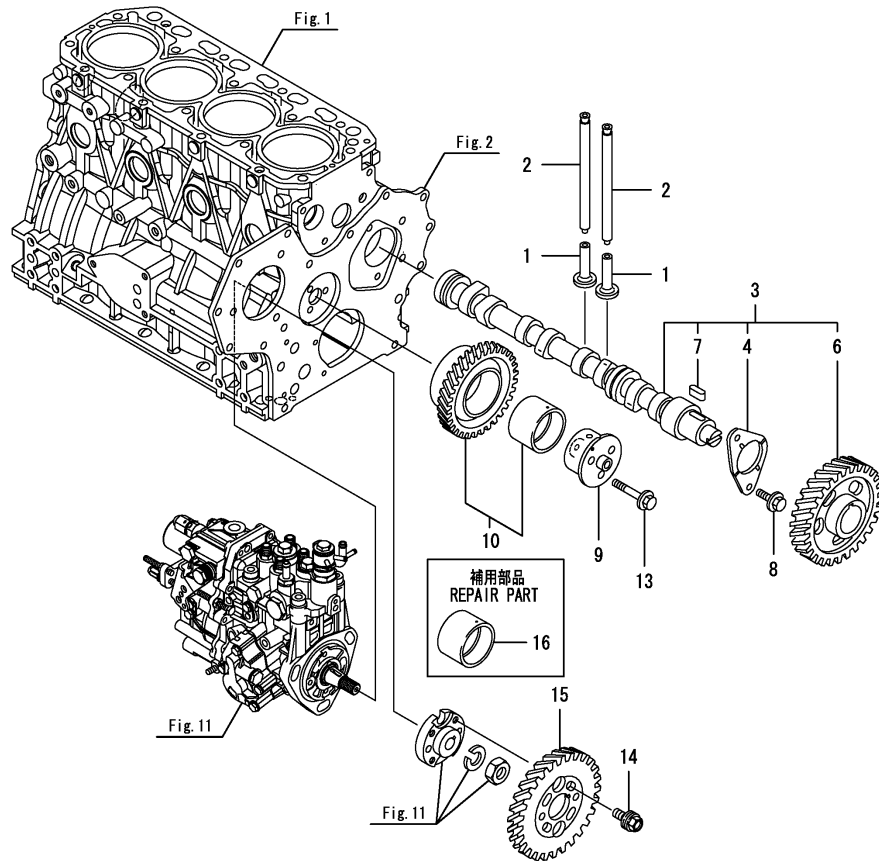
(B)=

(C)=

(D)=

(E)=

(F)=



REF.	LEV.	PARTS NO.	DESCRIPTION	QTY						I	R
				(A)	(B)	(C)	(D)	(E)	(F)		
1	1	129150-14200	TAPPET	8							
2	1	129150-14400	ROD, PUSH	8							
3	1	729402-14580	CAMSHAFT ASSY	1							
4	2	129150-02450	METAL, THRUST	1							
6	2	129150-14101	GEAR, CAMSHAFT	1							
7	2	22512-070140	KEY, 7X14	1							
8	1	26106-080142	BOLT 8X 14 PLATED	2							
9	1	119803-25050	SHAFT, IDLER	1							
10	1	119802-25101	GEAR ASSY, IDLE	1							
13	1	26106-080402	BOLT M 8X 40 PLATED	3							
14	1	129150-25301	BOLT, PUMP	4							
15	1	119802-25901	GEAR, PUMP	1							
16	1	119802-25071	BUSH, IDLE GEAR	1							1

Remarks
(1)Repair part.

Fig.8. CRANKSHAFT & PISTON

OCD11-G11300 8. CRANKSHAFT & PISTON

(A)=4TNV88-BDHKS

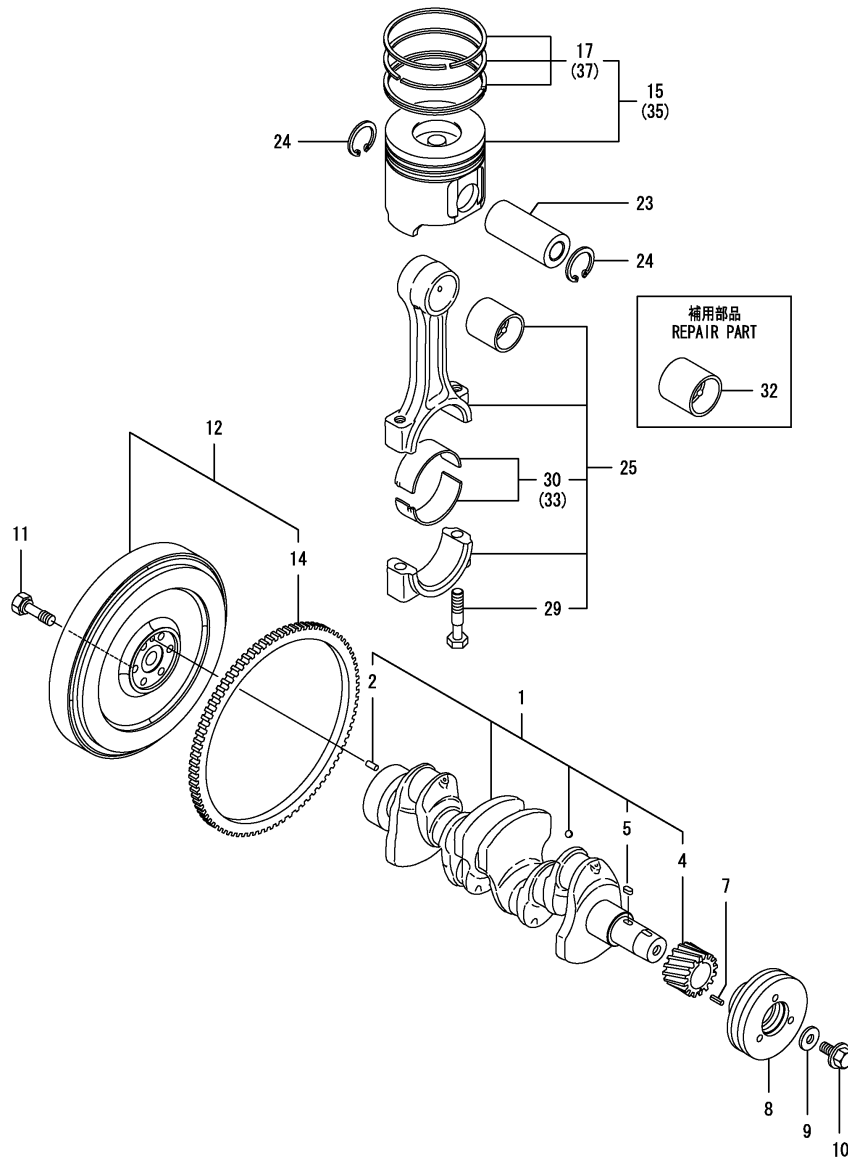
(B)=

(C)=

(D)=

(E)=

(F)=

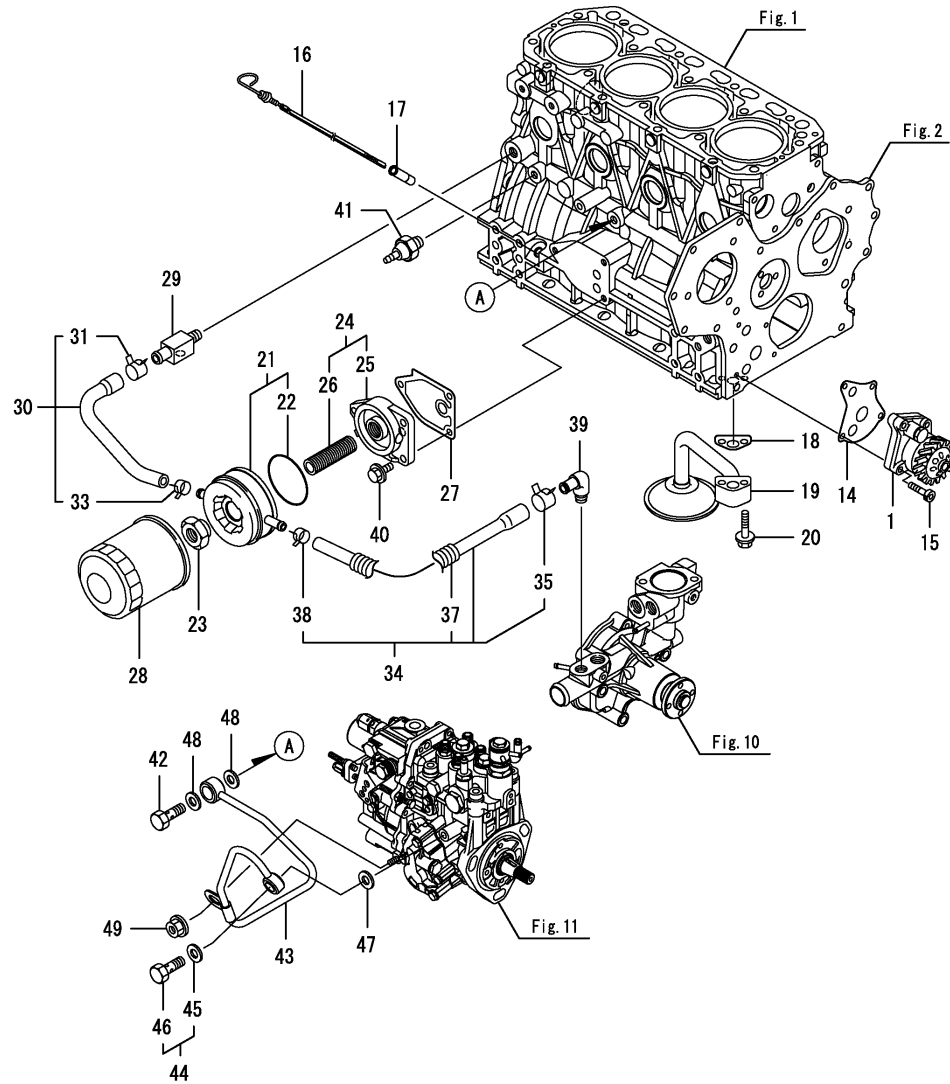


REF.	LEV.	PARTS NO.	DESCRIPTION	Q'TY						I	R
				(A)	(B)	(C)	(D)	(E)	(F)		
1	1	129604-21000	CRANKSHAFT ASSY	1							
2	2	129100-01580	PIN, PARALLEL	1							
4	2	119803-21200	GEAR, CRANKSHAFT	1							
5	2	22512-070140	KEY, 7X14	1							
7	1	22351-030010	SPRING PIN 3X10	1							
8	1	119802-21660	V-PULLEY, CRANKSHAFT	1							
9	1	129795-21661	WASHER	1							
10	1	121850-21680	BOLT, V-PULLEY	1							
11	1	121111-21501	BOLT, FLYWHEEL	6							
12	1	171420-21580	FLYWHEEL ASSY	1							
14	2	119865-21600	GEAR, RING	1							
15	1	129005-22080	PISTON W/RINGS	4							
17	2	129005-22500	RING SET, PISTON	4							
23	1	129202-22300	PIN, PISTON(D26,L70)	4							
24	1	22252-000260	CIRCLIP 26	8							
25	1	729402-23100	ROD ASSY, CONNECTING	4							
29	2	121550-23200	BOLT, CONNECTING ROD	8							
30	2	129150-23601	METAL, CRANKPIN	4							
32	1	129100-23910	METAL, PISTON PIN	4							1
33	1	129150-23611	METAL.PIN US=0.25	4							2
35	1	129005-22900	PISTON W/RINGS OS.25	4							3
37	2	129005-22950	RING SET, PISTON .25	4							3

Remarks

- (1)Repair part.
- (2)Under-sized(U.S.=0.25)part.
- (3)Over-sized(O.S.=0.25)part.

Fig.9. LUB. OIL SYSTEM



(A)=4TNV88-BDHKS

(B)=

(C)=

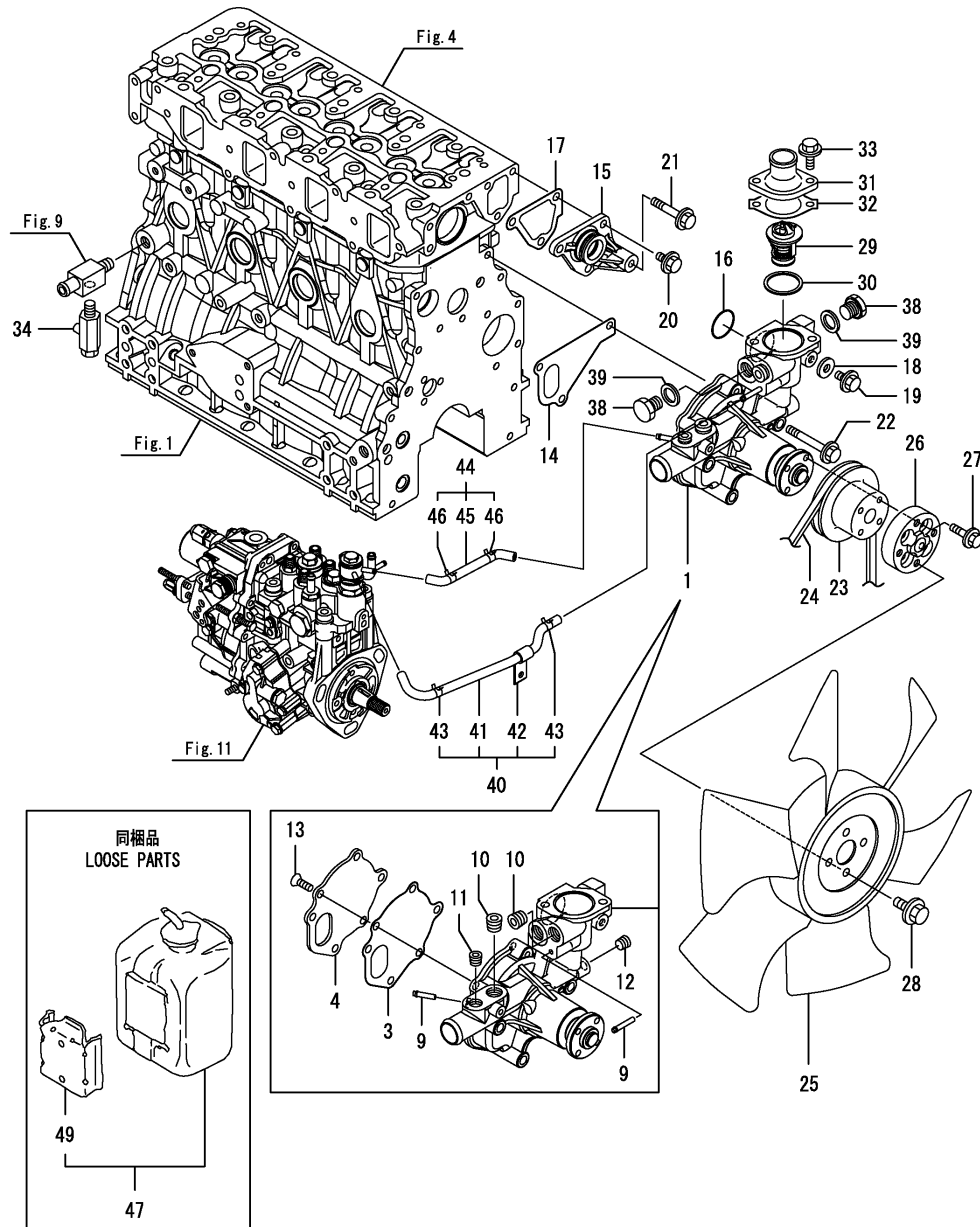
(D)=

(E)=

(F)=

REF.	LEV.	PARTS NO.	DESCRIPTION	QTY						I	R
				(A)	(B)	(C)	(D)	(E)	(F)		
1	1	129407-32000	PUMP ASSY, LUB.OIL	1							
14	1	129150-32020	GASKET, PUMP	1							
15	1	26450-060252	BOLT, M6X25	4							
16	1	129004-34802	DIPSTICK, LUB.OIL	1							
17	1	121520-34810	GUIDE, DIPSTICK	1							
18	1	129150-35042	GASKET, PIPE	1							
19	1	129436-35091	PIPE ASSY, OIL INLET	1							
20	1	26106-080352	BOLT M 8X 35 PLATED	2							
21	1	129508-33010	COOLER ASSY, LUB.OIL	1							
22	2	129508-33050	O-RING	1							
23	1	129417-33110	NUT, OIL COOLER	1							
24	1	129006-35100	BRACKET ASSY, FILTER	1							
25	2	119802-35110	BRACKET, FILTER	1							
26	2	129417-35150	STUD, L=67	1							
27	1	129150-35111	GASKET, BRACKET	1							
28	1	119005-35151	FILTER, LUB.OIL	1							
29	1	129006-44480	JOINT	1							
30	1	129508-49030	PIPE, COOLER INLET	1							
31	2	171008-03990	CLIP, HOSE 18.5	1							
33	2	23080-015000	CLAMP	1							
34	1	129508-49040	PIPE, COOLER OUTLET	1							
35	2	171008-03990	CLIP, HOSE 18.5	1							
37	2	119940-59130	TUBE, CORRUGATED	1							
38	2	23080-015000	CLAMP	1							
39	1	129103-49301	ELBOW, PT1/4	1							
40	1	26106-080202	BOLT M 8X 20 PLATED	3							
41	1	114250-39450	SWITCH, OIL PRESSURE	1							
42	1	124160-39140	BOLT, JOINT M10	1							
43	1	119802-39450	PIPE ASSY, LUB.OIL	1							
44	1	129005-59830	BOLT ASSY, JOINT	1							
45	2	22190-080002	SEAL WASHER 8S	1							
46	2	23857-030000	JOINT BOLT 3	1							
47	1	22190-080002	SEAL WASHER 8S	1							
48	1	22190-100002	WASHER, 10	2							
49	1	26366-060002	NUT M 6	1							

Fig.10. COOLING WATER SYSTEM



(A)=4TNV88-BDHKS

(B)=

(C)=

(D)=

(E)=

(F)=

REF.	LEV.	PARTS NO.	DESCRIPTION	QTY						I	R
				(A)	(B)	(C)	(D)	(E)	(F)		
1	1	129004-42001	PUMP ASSY, WATER	1							
3	2	129100-42051	GASKET, PUMP	1							
4	2	129100-42121	PLATE	1							
9	2	119802-49113	JOINT, PIPE	2							
10	2	129916-49740	PLUG, R03	2							
11	2	23875-020000	PLUG PT1/4,STEEL	1							
12	2	23876-010000	PLUG PT1/8,SCREW	1							
13	2	26577-060142	SCREW M 6X 14	3							
14	1	129486-42021	GASKET, WATER PUMP	1							
15	1	129004-42040	JOINT, PUMP	1							
16	1	129486-42140	O-RING, G30	1							
17	1	124395-49840	GASKET, CASE	1							
18	1	23414-080000	GASKET 8, ROUND	1							
19	1	26106-080122	BOLT M 8X 12 PLATED	1							
20	1	26106-080162	BOLT M 8X 16 PLATED	3							
21	1	26106-080452	BOLT M 8X 45 PLATED	1							
22	1	26106-080602	BOLT M 8X 60 PLATED	3							
23	1	129403-42380	V-PULLEY, WATER PUMP	1							
24	1	129612-42350	V-BELT	1							
25	1	129916-44740	FAN, COOLING	1							
26	1	129648-44770	SPACER, FAN 18MM	1							
27	1	26106-060222	BOLT M 6X 22 PLATED	4							
28	1	26106-080162	BOLT M 8X 16 PLATED	4							
29	1	129155-49801	THERMOSTAT	1							
30	1	129150-49811	GASKET, THERMOSTAT	1							
31	1	129350-49530	COVER, THERMOSTAT	1							
32	1	129795-49551	GASKET, COVER	1							
33	1	26106-080222	BOLT M 8X 22 PLATED	2							
34	1	119620-49290	COCK ASSY	1							
38	1	121450-42450	PLUG M16	2							
39	1	124465-44950	GASKET, 16	2							
40	1	129004-49610	PIPE, WATER MP2 A	1							
41	2	129004-49711	PIPE, WATER MP2 A	1							
42	2	119802-49730	CLAMP, PIPE	1							
43	2	124722-59050	CLIP, HOSE	2							
44	1	129004-49620	PIPE, WATER MP2 B	1							
45	2	129004-49721	PIPE, WATER MP2 B	1							
46	2	124722-59050	CLIP, HOSE	2							
47	1	720445-44200	SUB RESERVOIR ASSY	1							
49	2	120445-44540	BRACKET, SUB-TANK	1							

Fig.11. FUEL INJECTION PUMP

(A)=4TNV88-BDHKS

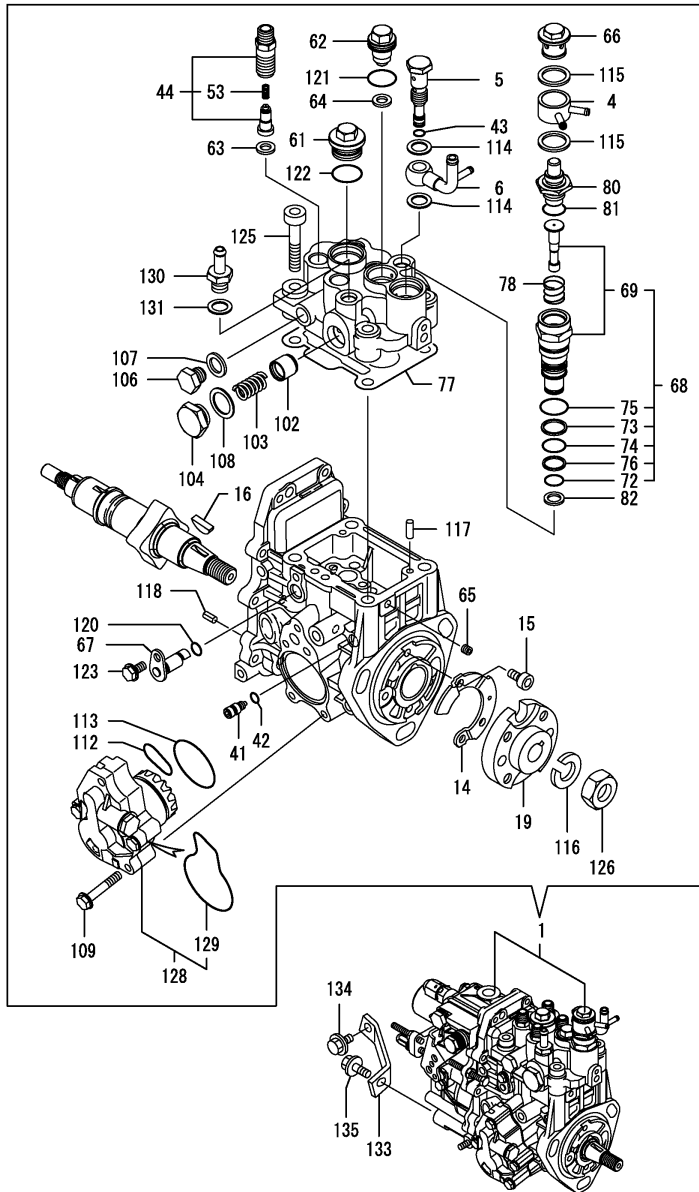
(B)=

(C)=

(D)=

(E)=

(F)=



REF.	LEV.	PARTS NO.	DESCRIPTION	Q'TY						I	R
				(A)	(B)	(C)	(D)	(E)	(F)		
1	1	729688-51350	INJECTION PUMP ASSY	1							1
4	2	158553-51551	JOINT, COOLING WATER	1							
5	2	158601-51650	JOINT, OVER FLOW	1							
6	2	158552-51670	JOINT, OVER FLOW	1							
14	2	129008-51900	COVER	1							
15	2	129008-51920	BOLT M6X10	2							
16	2	119802-51090	KEY, WOODRUFF 4X16	1							
19	2	158552-51151	FLANGE	1							
41	2	158600-51270	STOPPER, TAPPET	1							
42	2	158563-51281	O-RING	1							
43	2	158563-51281	O-RING	1							
44	2	129008-51390	SETTING, DELIVERY	4							
53	3	158563-51330	SPRING, DELIVERY	4							
61	2	158601-51550	PLUG	1							
62	2	119802-51560	PLUG, BARREL	1							
63	2	158552-51571	PK(BARREL PLUG	3							
64	2	158552-51571	PK(BARREL PLUG	1							
65	2	158557-51570	PLUG	1							
66	2	158601-51570	PLUG, WATER PUMP	1							
67	2	158552-51580	LIFTER	1							
68	2	119802-51590	TIMER SET	1							
69	3	119802-51600	TIMER CMP	1							
72	3	158553-51670	O-RING, 1011	1							
73	3	119802-51680	BACKUP RING	1							
74	3	119802-51690	O RING	1							
75	3	24356-190200	PACKING, 19020	1							
76	3	24372-000150	RING, BACKUP T2 P 15	1							
77	2	158552-51600	PACKING, HEAD	1							
78	2	158553-51630	SPRING, TIMER	1							
80	2	158553-51650	ELEMENT, THERMO	1							
81	2	158553-51660	O-RING,P14	1							
82	2	158553-51680	PACKING,TIMER	1							
102	2	158601-51770	PISTON	1							
103	2	158552-51781	SPRING, ACTUATOR	1							
104	2	158601-51790	PLUG	1							
106	2	158553-51930	PLUG,M12	1							
107	2	22190-120002	SEAL WASHER 12	1							
108	2	22190-180002	WASHER, 18	1							
109	2	158553-51770	BOLT	4							
112	2	158552-52311	O-RING	1							
113	2	158552-52400	O-RING 4E S42	1							
114	2	22190-120002	SEAL WASHER 12	2							
115	2	22190-180002	WASHER, 18	2							
116	2	22217-140000	SPRING WASHER 14	1							
117	2	22312-050140	PARALLEL PIN 5X14	2							
118	2	22351-050010	SPRING PIN 5X10	2							
120	2	24311-000070	O-RING 1A P-7.0	1							
121	2	24356-190180	O-RING 4D 19018	1							
122	2	24356-190200	PACKING, 19020	1							
123	2	26106-060102	BOLT 6X 10 PLATED	1							
125	2	26450-080452	BOLT M 8X 45	4							

Remarks

(1)Governor(Fig.12)is incorporated in this Fuel Injection Pump (Ref.1).

N:Old $\frac{Yes}{No}$ New, Q:Old $\frac{No}{Yes}$ New, R:Old $\frac{Yes}{No}$ New, S:Old $\frac{No}{Yes}$ New, W:Add, Z:Discontinued, F:Interchangeable by set, K:Q'ty Change

++ CONTINUE ++

(C)Copy Rights YANMAR CO.,LTD.

Fig.11. FUEL INJECTION PUMP

(A)=4TNV88-BDHKS

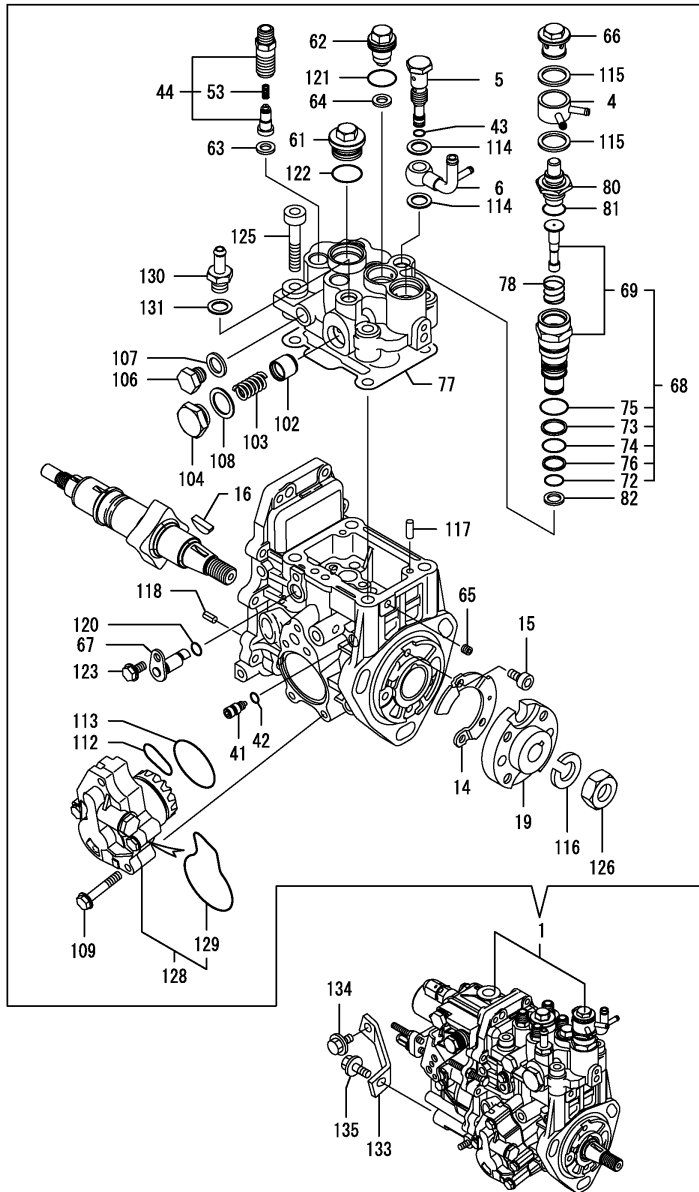
(B)=

(C)=

(D)=

(E)=

(F)=



REF.	LEV.	PARTS NO.	DESCRIPTION	QTY						I	R
				(A)	(B)	(C)	(D)	(E)	(F)		
126	2	26776-140002	LOCK NUT M14 PLATED	1							
128	2	158552-52100	PUMP ASSY, FUEL FEED	1							
129	3	158552-52500	O-RING, PUMP	1							
130	2	119934-59910	JOINT, PIPE	1							
131	2	22190-120002	SEAL WASHER 12	1							
133	1	129601-51250	RETAINER, PUMP	1							
134	1	26106-080162	BOLT M 8X 16 PLATED	1							
135	1	26106-080202	BOLT M 8X 20 PLATED	1							

Remarks

(1)Governor(Fig.12)is incorporated in this Fuel Injection Pump (Ref.1).

N:Old $\xrightarrow{\text{Yes}}$ New, Q:Old $\xrightarrow{\text{No}}$ New, R:Old $\xrightarrow{\text{Yes}}$ New, S:Old $\xrightarrow{\text{No}}$ New, W:Add, Z:Discontinued, F:Interchangeable by set, K:Q'ty Change

Fig.12. GOVERNOR

(A)=4TNV88-BDHKS

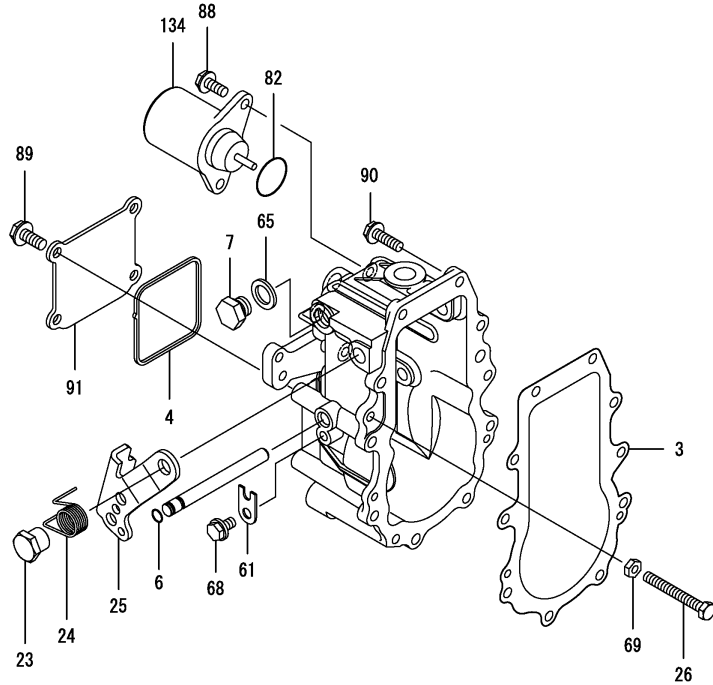
(B)=

(C)=

(D)=

(E)=

(F)=



REF.	LEV.	PARTS NO.	DESCRIPTION	QTY						I	R
				(A)	(B)	(C)	(D)	(E)	(F)		
3	2	158553-61050	PACKING, CASE	1							
4	2	158553-61070	PACKING, COVER	1							
6	2	129155-51280	O-RING, S6	1							
7	2	158553-51930	PLUG,M12	1							
23	2	129255-61410	NUT	1							
24	2	119807-61420	SPRING, RETURN	1							
25	2	158552-61441	LEVER, REGULATOR	1							
26	2	129155-61460	BOLT, IDLE	1							
61	2	119660-61901	RETAINER, SHAFT	1							
65	2	22190-120002	SEAL WASHER 12	1							
68	2	26106-060102	BOLT 6X 10 PLATED	1							
69	2	26756-060002	LOCK NUT 6	1							
82	2	158552-61900	O-RING	1							
88	2	26106-060142	BOLT M 6X 14 PLATED	2							
89	2	26106-060142	BOLT M 6X 14 PLATED	4							
90	2	26106-060202	BOLT M 6X 20 PLATED	10							
91	2	129642-61060	COVER, GOVERNOR CASE	1							
134	2	119233-77932	SOLENOID, STOP	1							

Remarks

*This figure(Governor)is incorporated in the Fuel Injection Pump (Fig.11).

N:Old $\xrightarrow{\text{Yes}}$ New, Q:Old $\xrightarrow{\text{No}}$ New, R:Old $\xrightarrow{\text{Yes}}$ New, S:Old $\xrightarrow{\text{No}}$ New, W:Add, Z:Discontinued, F:Interchangeable by set, K:Q'ty Change

Fig.13. FUEL INJECTION VALVE

(A)=4TNV88-BDHKS

(B)=

(C)=

(D)=

(E)=

(F)=

REF.	LEV.	PARTS NO.	DESCRIPTION	Q'TY						I	R
				(A)	(B)	(C)	(D)	(E)	(F)		
1	1	729604-53400	FUEL INJECTOR(REB	4							
2	2	114250-53080	NUT, CASE	4							
3	2	119802-53100	HOLDER ASSY, NOZZLE	4							
8	2	114250-53120	SPRING, NOZZLE	4							
9	2	114250-53130	SEAT, SPRING	4							
10	2	114250-53140	PLATE, STOP	4							
11	2	114250-53210	PIN	8							
12	2	129604-53300	NOZZLE ASSY	4							
15	2	119803-53400	SHIM SET	4							
42	1	129150-59120	RETAINER, PIPE	1							
45	2	129150-59131	BOLT M4X14,HEX.SCKT.	2							
46	1	129550-59120	RETAINER, PIPE	1							
49	2	129150-59131	BOLT M4X14,HEX.SCKT.	2							
51	1	129601-59810	PIPE ASSY, INJECTION	1							
55	1	129601-59820	PIPE ASSY, INJECTION	1							
59	1	129601-59830	PIPE ASSY, INJECTION	1							
63	1	129601-59840	PIPE ASSY, INJECTION	1							
68	1	119802-59550	PIPE ASSY, RETURN	1							
69	2	124722-59050	CLIP, HOSE	2							
70	2	119802-59560	PIPE, FUEL RETURN	1							
71	1	129486-59551	PIPE ASSY, RETURN	3							
72	2	124722-59050	CLIP, HOSE	6							
74	1	119593-59581	CAP	1							
75	1	124060-77680	CLAMP 10	1							

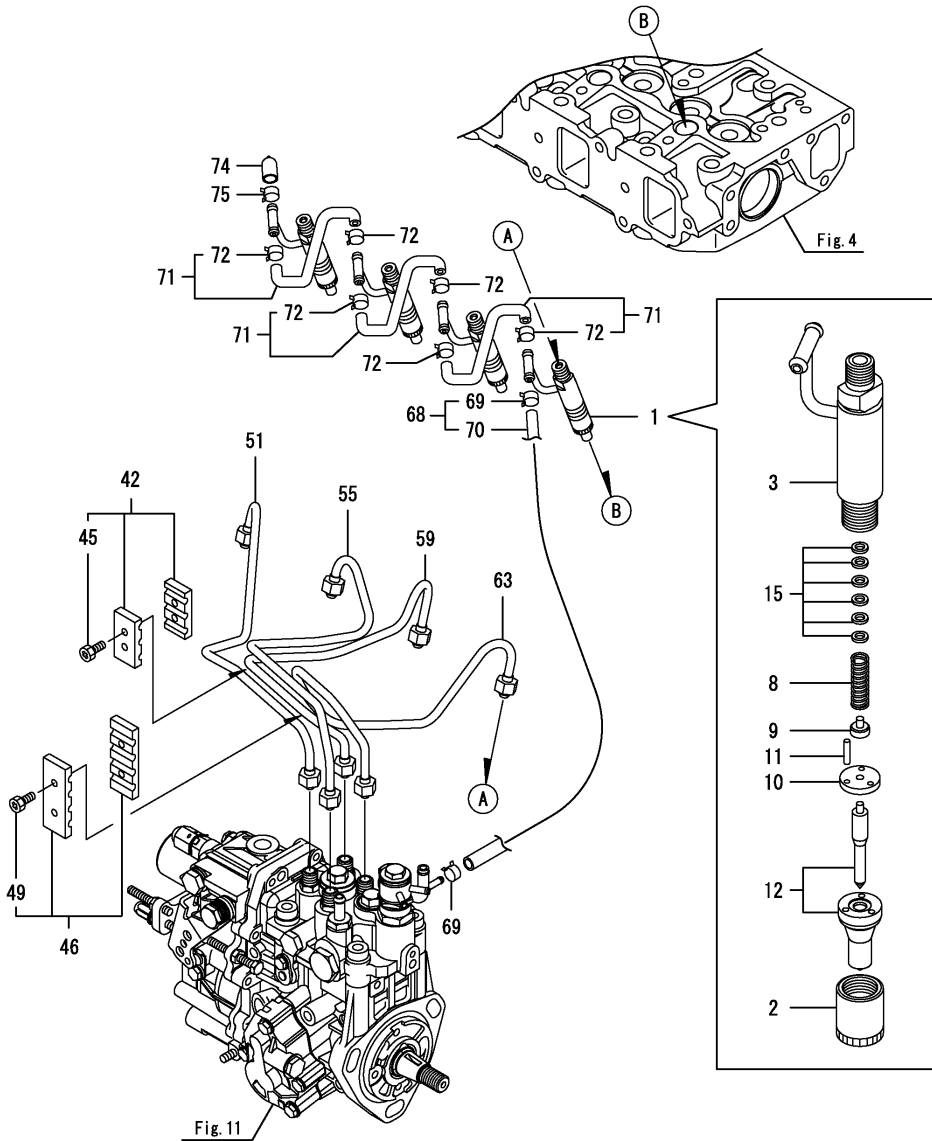
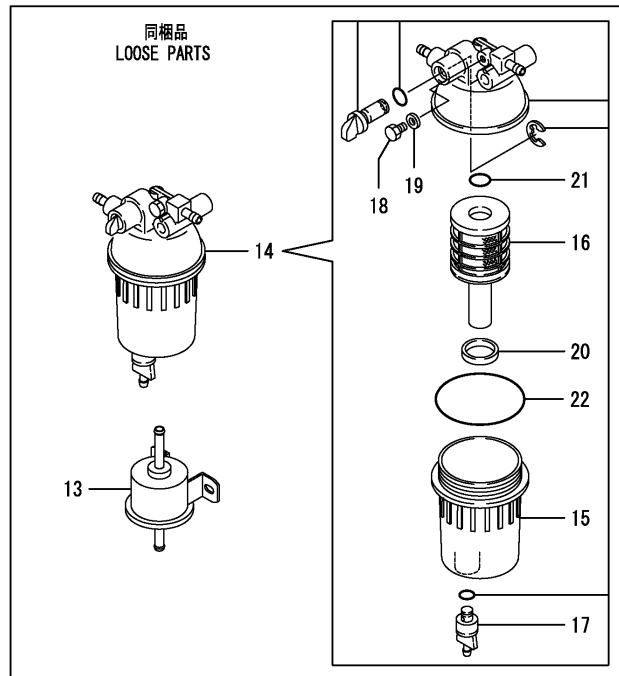
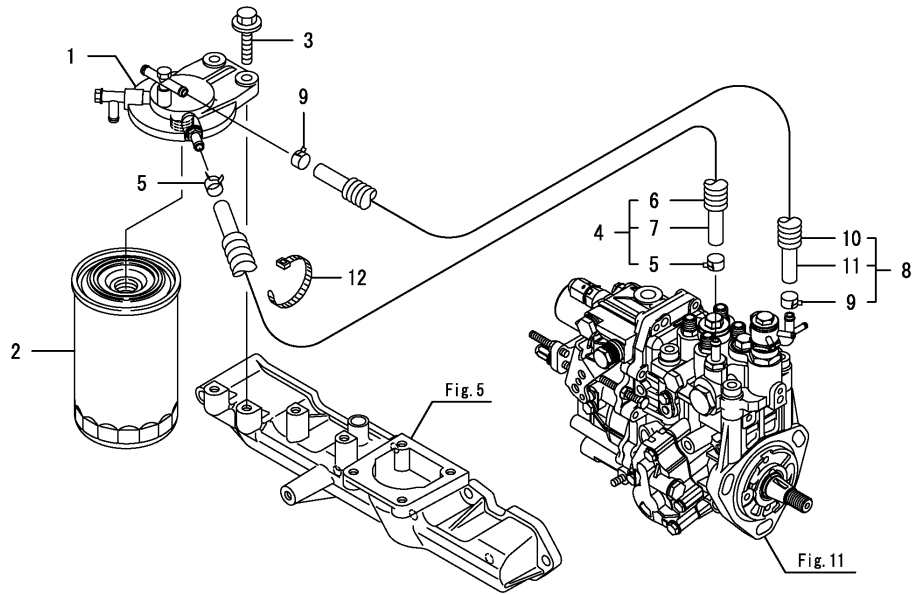


Fig.14. FUEL LINE



(A)=4TNV88-BDHKS

(B)=

(C)=

(D)=

(E)=

(F)=

REF.	LEV.	PARTS NO.	DESCRIPTION	QTY						I	R
				(A)	(B)	(C)	(D)	(E)	(F)		
1	1	129004-55612	BRACKET, FILTER	1							
2	1	129907-55801	FILTER, FUEL OIL	1							
3	1	26106-080302	BOLT M 8X 30 PLATED	2							
4	1	129630-59010	PIPE ASSY, FUEL OIL	1							
5	2	124766-59050	CLAMP 12	2							
6	2	129961-59110	TUBE, CORRUGATED	1							
7	2	105025-59560	PIPE, FUEL OIL	1							
8	1	129956-59010	PIPE ASSY, FUEL OIL	1							
9	2	124766-59050	CLAMP 12	2							
10	2	129957-59101	TUBE, CORRUGATED	1							
11	2	105225-59511	PIPE, FUEL OIL	1							
12	1	121750-59890	CLAMP 140	1							
13	1	129612-52100	PUMP, FUEL FEED	1							
14	1	129242-55700	SEPARATOR ASSY	1							
15	2	129242-55720	CUP	1							
16	2	129242-55730	ELEMENT	1							
17	2	129242-55740	PLUG, DRAIN	1							
18	2	129242-55750	VALVE, AIR VENT	1							
19	2	129242-55760	PACKING, PLUG	1							
20	2	129242-55770	FLOAT	1							
21	2	24311-000160	O-RING 1A P-16.0	1							
22	2	24321-000750	O-RING 1A G-75.0	1							

Fig.15. STARTING MOTOR

(A)=4TNV88-BDHKS

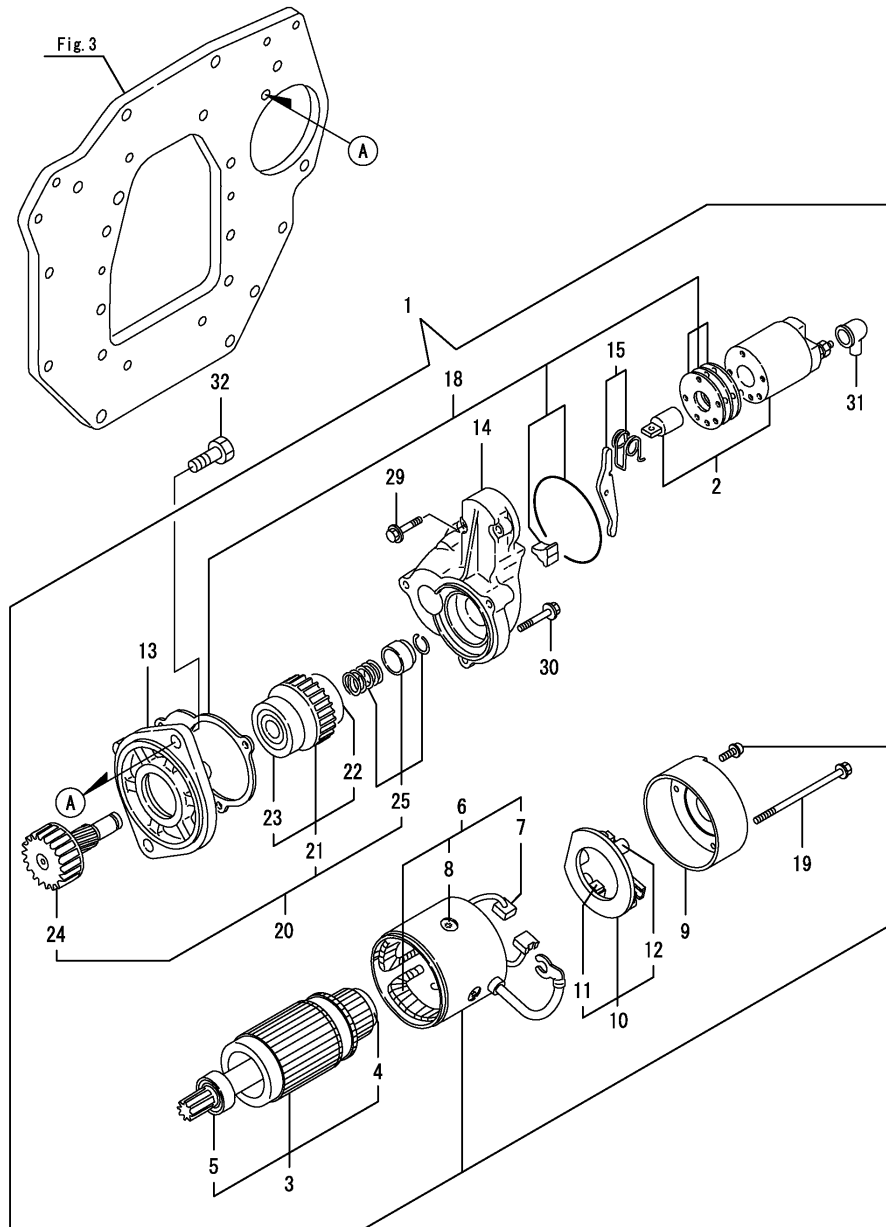
(B)=

(C)=

(D)=

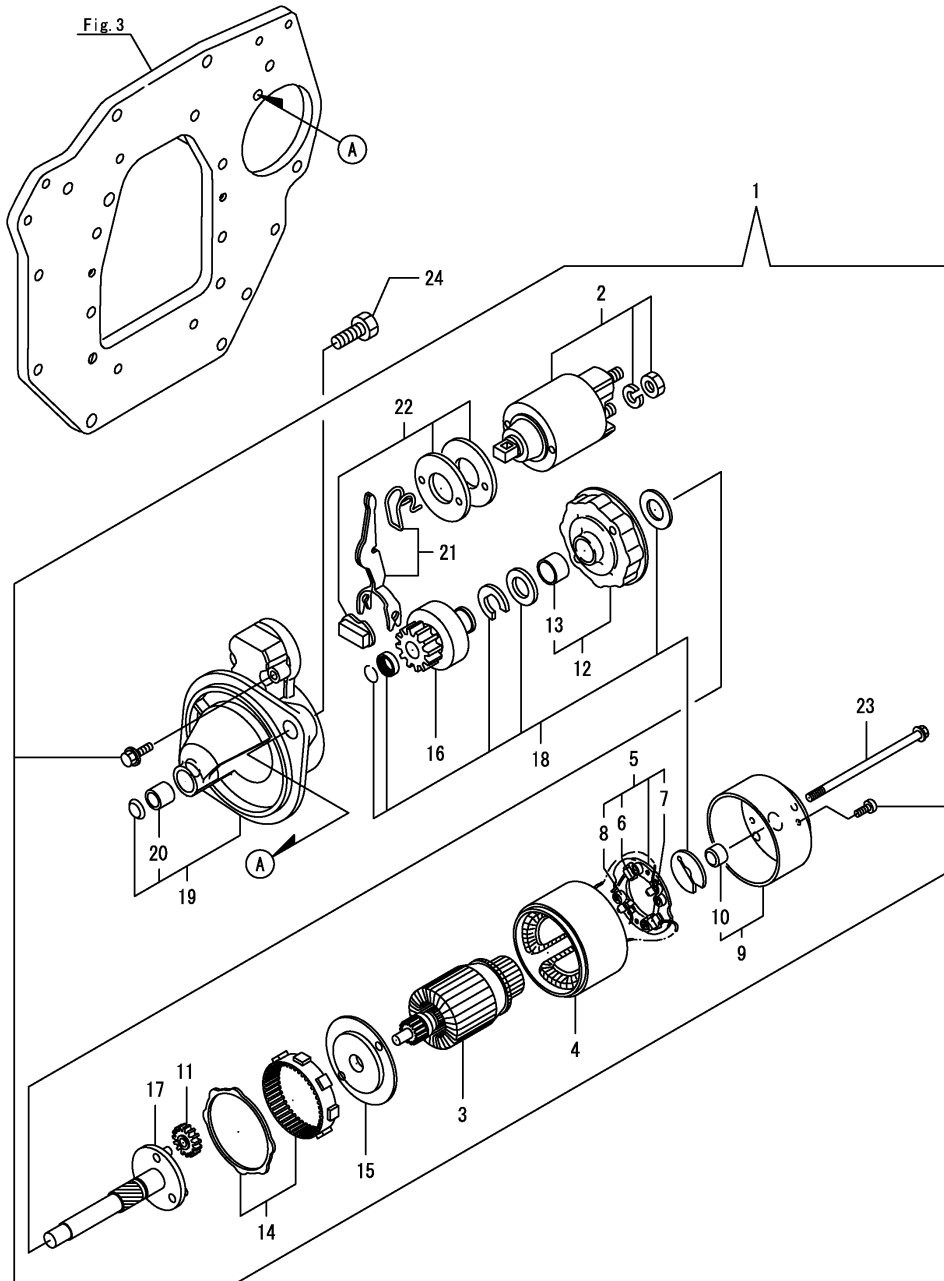
(E)=

(F)=



REF.	LEV.	PARTS NO.	DESCRIPTION	QTY						I	R
				(A)	(B)	(C)	(D)	(E)	(F)		
1	1	129136-77011	STARTER	1							
2	2	129136-77310	SHAFT, PINION	1							
3	2	129900-77400	ARMATURE ASSY	1							
4	3	X2130350900	BALL BEARING	1							
5	3	X2114255110	BALL BEARING	1							
6	2	129900-77440	COIL ASSY, FIELD	1							
7	3	129900-77450	BRUSH (+)	2							
8	3	171008-77450	SCREW, POLE CORE SET	4							
9	2	129900-77460	COVER, REAR	1							
10	2	129900-77480	HOLDER ASSY, BRASH	1							
11	3	129900-77450	BRUSH (+)	2							
12	3	129400-77490	SPRING, BRUSH	4							
13	2	171008-77510	HOUSING ASSY, GEAR	1							
14	2	129136-77520	CENTER HOUSING	1							
15	2	171008-77540	LEVER SET, SHIFT	1							
18	2	129400-77571	COVER KIT, DUST	1							
19	2	129900-77640	BOLT, THROUGH	2							
20	2	171008-77650	PINION ASSY	1							
21	3	X2114555500	CLUTCH ASSY	1							
22	4	X2114955020	BALL BEARING	1							
23	4	X2240410100	BALL BEARING	1							
24	3	171008-77660	SHAFT, PINION	1							
25	3	171008-77670	STOPPER SET, PINION	1							
29	2	26106-060322	BOLT M 6X 32 PLATED	2							
30	2	26106-060402	BOLT M 6X 40 PLATED	3							
31	2	171008-77750	COVER, M TERMINAL	1							
32	1	26116-120202	BOLT M12X 20 PLATED	2							

Fig.18. (15A)STARTING MOTOR



(A)=4TNV88-BDHKS

(B)=

(C)=

(D)=

(E)=

(F)=

REF.	LEV.	PARTS NO.	DESCRIPTION	Q'TY						I	R
				(A)	(B)	(C)	(D)	(E)	(F)		
1	1	129242-77010	STARTER	1							
2	2	129698-77020	MAGNETIC SWITCH ASSY	1							
3	2	129242-77100	ARMATURE ASSY	1							
4	2	129242-77110	YOKE ASSY	1							
5	2	129242-77120	BRUSH HOLDER ASSY	1							
6	3	129242-77130	BRUSH(-)	2							
7	3	129242-77140	BRUSH(+) SET	1							
8	3	129242-77150	BRUSH SPRING	4							
9	2	129242-77160	REAR COVER ASSY	1							
10	3	129242-77170	REAR COVER METAL	1							
11	2	118400-77170	PLANET GEAR	3							
12	2	129242-77180	CENTER BRACKET(P)	1							
13	3	129698-77190	BRACKET	1							
14	2	129698-77200	GEAR, INTERNAL	1							
15	2	129242-77210	CENTER BRACKET(A)	1							
16	2	129698-77220	PINION ASSY	1							
17	2	129698-77230	SHAFT(PINION)	1							
18	2	129698-77250	WASHER SET	1							
19	2	129242-77260	GEAR CASE ASSY	1							
20	3	X2114535200	METAL, STARTER	1							
21	2	129242-77270	SHIFT LEVER SET	1							
22	2	129242-77280	DUST COVER KIT	1							
23	2	124195-77770	THROUGH BOLT	2							
24	1	26116-120202	BOLT M12X 20 PLATED	2							

Fig.16. GENERATOR

(A)=4TNV88-BDHKS

(B)=

(C)=

(D)=

(E)=

(F)=

REF.	LEV.	PARTS NO.	DESCRIPTION	QTY						I	R
				(A)	(B)	(C)	(D)	(E)	(F)		
1	1	129795-01900	STUD	1							
2	1	129423-77200	GENERATOR, 12V-40A	1							
3	2	X9490561001	NUT	1							
4	2	119620-77380	ROTOR ASSY	1							
5	3	123501-79240	BEARING, BALL	1							
6	3	119620-79250	COVER, BEARING	1							
7	2	119620-77421	FLAME ASSY, DRIVE	1							
8	3	119620-79200	BALL BEARING	1							
9	3	119620-79210	PLATE, RETAINER	1							
10	3	119620-79220	SCREW	4							
11	3	119620-79230	STUD	2							
12	2	119620-77440	FLAME ASSY, REAR	1							
13	2	119620-77461	PULLEY	1							
14	2	119620-77471	NUT	1							
15	2	119620-77490	COLLAR	1							
16	2	129423-77710	REGULATOR ASSY	1							
17	2	119620-79260	HOLDER	1							
18	2	129052-79270	HOLDER, BRUSH	1							
19	3	119620-77480	BRUSH ASSY	2							
20	3	119620-79280	SPRING	2							
21	2	119620-79290	SCREW	6							
22	2	119620-79300	SCREW	1							
23	2	129240-79300	COVER	1							
24	2	119620-79310	BOLT	3							
25	2	119620-79320	SCREW	2							
26	2	119620-79330	BOLT	2							
27	2	119620-79340	BUSH, INSULATION	1							
28	2	119620-79350	NUT	2							
29	2	119620-79360	WASHER, THRUST	1							
30	1	26306-100002	NUT, M10	1							
31	1	119940-77270	SPACER, GENERATOR	1							
32	1	119802-77330	ADJUSTER, BELT	1							
33	1	129972-77341	BOLT, ADJUSTER	1							
34	1	26106-080452	BOLT M 8X 45 PLATED	1							
35	1	119802-77200	RELAY, SAFETY	1							
36	1	119650-77910	RELAY ASSY, GLOW	2							
39	1	129115-91250	SWITCH ASSY	1							
41	2	129115-91270	KEY ASSY	1							

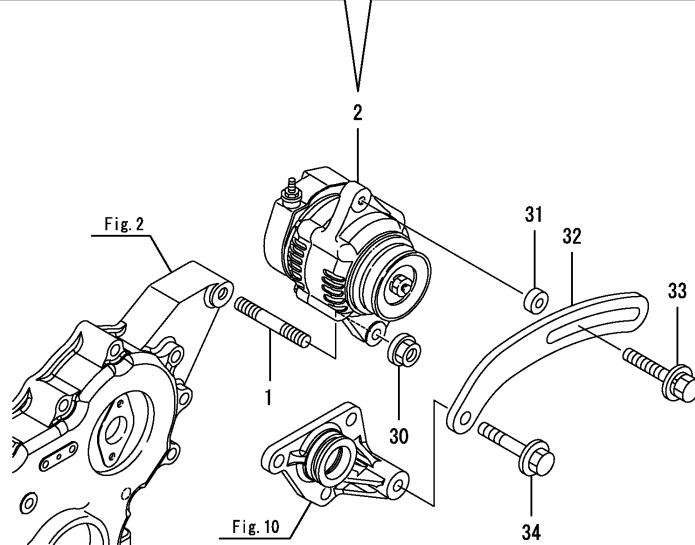
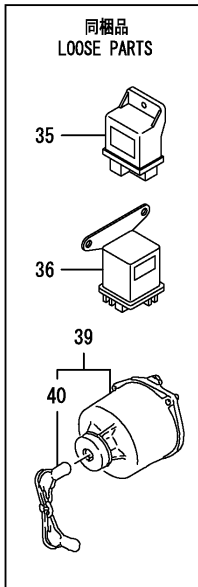
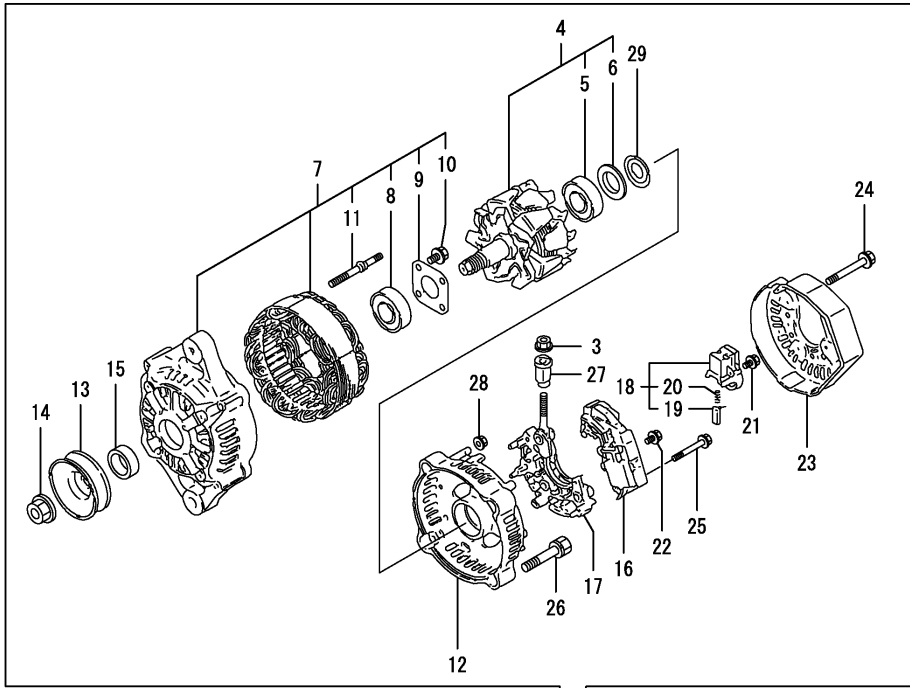


Fig.17. GASKET SET

(A)=4TNV88-BDHKS

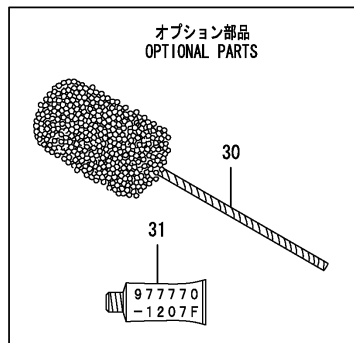
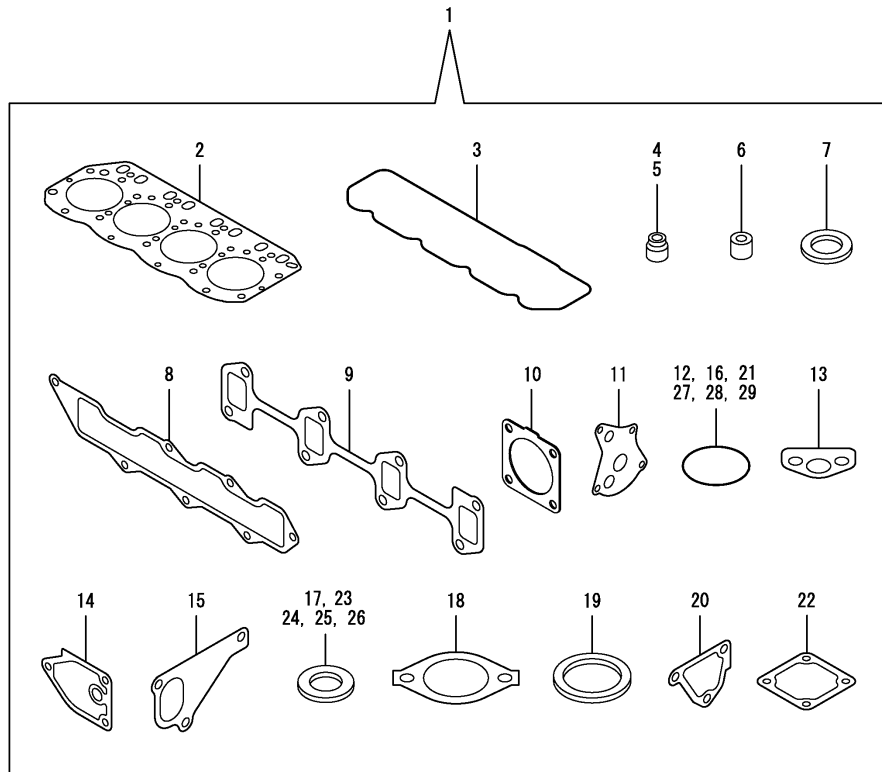
(B)=

(C)=

(D)=

(E)=

(F)=



REF.	LEV.	PARTS NO.	DESCRIPTION	QTY						I	R
				(A)	(B)	(C)	(D)	(E)	(F)		
1	1	129688-92600	SET,PACKING CMP	1							1
2	2	129407-01340	GASKET, CYL.HEAD	1							
3	2	129601-11310	GASKET, BONNET	1							
4	2	121400-11340	SEAL, VALVE STEM	4							
5	2	124460-11340	SEAL, VALVE STEM	4							
6	2	119802-11870	PROTECTOR, NOZZLE	4							
7	2	119625-11880	SEAT, NOZZLE	4							
8	2	129407-12110	GASKET, MANIFOLD	1							
9	2	129550-13110	GASKET, EXH.MANIFOLD	1							
10	2	129930-13201	GASKET, SILENCER	1							
11	2	129150-32020	GASKET, PUMP	1							
12	2	119609-32040	O-RING P16	2							
13	2	129150-35042	GASKET, PIPE	1							
14	2	129150-35111	GASKET, BRACKET	1							
15	2	129486-42021	GASKET, WATER PUMP	1							
16	2	129486-42140	O-RING, G30	1							
17	2	124465-44950	GASKET, 16	2							
18	2	129795-49551	GASKET, COVER	1							
19	2	129150-49811	GASKET, THERMOSTAT	1							
20	2	124395-49840	GASKET, CASE	1							
21	2	121850-51960	O-RING, F.I.PUMP	1							
22	2	129150-77511	GASKET, AIR HEATER	1							
23	2	22190-080002	SEAL WASHER 8S	2							
24	2	22190-100002	WASHER, 10	2							
25	2	22190-220002	WASHER, 22	1							
26	2	23414-080000	GASKET 8, ROUND	1							
27	2	24311-000120	O-RING 1A P-12.0	3							
28	2	24311-000320	O-RING 1A P-32.0	3							
29	2	24341-000240	O-RING 1A S-24.0	1							
30	1	129400-92430	HORN, FLEX	1							1
31	1	977770-1207F	GASKET.LIQUID	1							1

Remarks
(1)Optional parts.

Part Number Index

All parts are stipulated in the order of part numbers.

(Depending on the area in which the part is used.)

This index will display the location of the part according to each part number.

PARTS No. INDEX

PARTS No.	Fig.	Ref.No.
105025-59560	14	7
105225-59511	14	11
114250-39450	9	41
114250-53080	13	2
114250-53120	13	8
114250-53130	13	9
114250-53140	13	10
114250-53210	13	11
118400-77170	18	11
119005-35151	9	28
119131-18320	6	5
119233-77932	12	134
119593-59581	13	74
119609-32040	2	9
	17	12
119620-49290	10	34
119620-77380	16	4
119620-77421	16	7
119620-77440	16	12
119620-77461	16	13
119620-77471	16	14
119620-77480	16	19
119620-77490	16	15
119620-79200	16	8
119620-79210	16	9
119620-79220	16	10
119620-79230	16	11
119620-79250	16	6
119620-79260	16	17
119620-79280	16	20
119620-79290	16	21
119620-79300	16	22
119620-79310	16	24
119620-79320	16	25
119620-79330	16	26
119620-79340	16	27
119620-79350	16	28
119620-79360	16	29
119625-11880	4	30
	17	7
119640-01640	3	7
119650-77910	16	36
119660-61901	12	61
119802-01561	2	5
119802-03110	4	41
119802-03121	4	42
119802-03130	4	43
119802-03141	4	44
119802-11260	4	4
119802-11270	4	5

PARTS No.	Fig.	Ref.No.
119802-11870	4	29
	17	6
119802-21660	8	8
119802-25071	7	16
119802-25101	7	10
119802-25901	7	15
119802-35110	9	25
119802-39450	9	43
119802-49113	10	9
119802-49730	10	42
119802-51090	11	16
119802-51560	11	62
119802-51590	11	68
119802-51600	11	69
119802-51680	11	73
119802-51690	11	74
119802-53100	13	3
119802-59550	13	68
119802-59560	13	70
119802-77200	16	35
119802-77330	16	32
119803-01520	2	4
119803-21200	8	4
119803-25050	7	9
119803-53400	13	15
119807-61420	12	24
119865-21600	8	14
119934-01800	2	3
119934-59910	11	130
119940-59130	9	37
119940-77270	16	31
120130-11860	4	57
120270-54410	4	32
120445-44540	10	49
121023-01551	2	19
121111-21501	8	11
121400-11340	4	25
	17	4
121450-42450	10	38
121520-34810	9	17
121550-23200	8	29
121750-59890	14	12
121850-21680	8	10
121850-51960	2	10
	17	21
123501-79240	16	5
123900-13610	6	3
123900-13630	6	4
124060-01050	1	4
124060-77680	13	75

PARTS No.	Fig.	Ref.No.
124160-01751	2	6
	4	37
124160-01910	1	6
		7
124160-11360	4	49
124160-39140	9	42
124195-77770	18	23
124240-01871	2	7
124395-49840	10	17
	17	20
124460-11340	4	26
	17	5
124465-44950	10	39
	17	17
124722-59050	10	43
		46
	13	69
		72
124766-59050	14	5
		9
129001-01250	1	5
129001-02931	1	29
129004-03010	4	39
129004-11650	4	7
129004-11900	4	31
129004-34802	9	16
129004-42001	10	1
129004-42040	10	15
129004-49610	10	40
129004-49620	10	44
129004-49711	10	41
129004-49721	10	45
129004-55612	14	1
129005-03080	5	1
129005-11100	4	21
129005-22080	8	15
129005-22500	8	17
129005-22900	8	35
129005-22950	8	37
129005-59830	9	44
129006-35100	9	24
129006-44480	9	29
129008-51390	11	44
129008-51900	11	14
129008-51920	11	15
129008-77800	4	54
129052-79270	16	18
129100-01580	3	1
		14
		2

PARTS No.	Fig.	Ref.No.
129100-11112	4	22
129100-23910	8	32
129100-42051	10	3
129100-42121	10	4
129103-49301	9	39
129115-91250	16	39
129115-91270	16	41
129129-01600	3	2
129136-77011	15	1
129136-77310	15	2
129136-77520	15	14
129150-01200	1	27
129150-02020	1	9
129150-02450	7	4
129150-02871	1	32
129150-02931	1	24
129150-02941	1	35
129150-03070	4	40
129150-11230	4	8
129150-11280	4	6
129150-11370	4	12
129150-11750	4	10
129150-11810	4	58
129150-14101	7	6
129150-14200	7	1
129150-14400	7	2
129150-23601	8	30
129150-23611	8	33
129150-25301	7	14
129150-32020	9	14
	17	11
129150-35042	9	18
	17	13
129150-35111	9	27
	17	14
129150-49811	10	30
	17	19
129150-59120	13	42
129150-59131	13	45
		49
129150-77511	5	8
	17	22
129155-49801	10	29
129155-51280	12	6
129155-61460	12	26
129202-22300	8	23
129240-79300	16	23
129242-55700	14	14
129242-55720	14	15
129242-55730	14	16

PARTS No. INDEX

PARTS No.	Fig.	Ref.No.
129242-55740	14	17
129242-55750	14	18
129242-55760	14	19
129242-55770	14	20
129242-77010	18	1
129242-77100	18	3
129242-77110	18	4
129242-77120	18	5
129242-77130	18	6
129242-77140	18	7
129242-77150	18	8
129242-77160	18	9
129242-77170	18	10
129242-77180	18	12
129242-77210	18	15
129242-77260	18	19
129242-77270	18	21
129242-77280	18	22
129255-61410	12	23
129350-49530	10	31
129400-01730	3	5
129400-01770	3	6
129400-77490	15	12
129400-77571	15	18
129400-92430	17	30
129403-42380	10	23
129407-01340	1	28
	17	2
129407-12110	5	4
	17	8
129407-32000	9	1
129410-03990	5	2
129411-13100	6	1
129417-33110	9	23
129417-35150	9	26
129423-77200	16	2
129423-77710	16	16
129436-35091	9	19
129486-01670	3	18
129486-12581	5	7
129486-42021	10	14
	17	15
129486-42140	10	16
	17	16
129486-59551	13	71
129508-33010	9	21
129508-33050	9	22
129508-49030	9	30
129508-49040	9	34
129550-13110	6	2

PARTS No.	Fig.	Ref.No.
129550-13110	17	9
129550-59120	13	46
129601-11241	4	1
129601-11251	4	2
129601-11310	4	46
	17	3
129601-11350	4	38
129601-51250	11	133
129601-59810	13	51
129601-59820	13	55
129601-59830	13	59
129601-59840	13	63
129602-12101	5	3
129604-21000	8	1
129604-53300	13	12
129604-77821	4	55
129612-42350	10	24
129612-52100	14	13
129630-59010	14	4
129630-77800	4	56
129642-61060	12	91
129648-01600	3	15
129648-01780	3	17
129648-44770	10	26
129688-11700	4	13
129688-92600	17	1
129698-77020	18	2
129698-77190	18	13
129698-77200	18	14
129698-77220	18	16
129698-77230	18	17
129698-77250	18	18
129795-01900	16	1
129795-01950	2	8
129795-02412	1	12
129795-11120	4	23
129795-11180	4	24
129795-21661	8	9
129795-49551	10	32
	17	18
129900-07900	4	52
129900-77400	15	3
129900-77440	15	6
129900-77450	15	7
		11
129900-77460	15	9
129900-77480	15	10
129900-77640	15	19
129907-55801	14	2
129916-44740	10	25

PARTS No.	Fig.	Ref.No.
129916-49740	10	10
129930-13201	6	7
	17	10
129956-59010	14	8
129957-59101	14	10
129961-59110	14	6
129972-77341	16	33
158552-51151	11	19
158552-51571	11	63
		64
158552-51580	11	67
158552-51600	11	77
158552-51670	11	6
158552-51781	11	103
158552-52100	11	128
158552-52311	11	112
158552-52400	11	113
158552-52500	11	129
158552-61441	12	25
158552-61900	12	82
158553-51551	11	4
158553-51630	11	78
158553-51650	11	80
158553-51660	11	81
158553-51670	11	72
158553-51680	11	82
158553-51770	11	109
158553-51930	11	106
	12	7
158553-61050	12	3
158553-61070	12	4
158557-51570	11	65
158563-51281	11	42
		43
158563-51330	11	53
158600-51270	11	41
158601-51550	11	61
158601-51570	11	66
158601-51650	11	5
158601-51770	11	102
158601-51790	11	104
171008-03990	9	31
		35
171008-77450	15	8
171008-77510	15	13
171008-77540	15	15
171008-77650	15	20
171008-77660	15	24
171008-77670	15	25
171008-77750	15	31

PARTS No.	Fig.	Ref.No.
171031-11741	2	22
171051-01921	1	8
171420-21580	8	12
719803-01500	2	1
720445-44200	10	47
729402-14580	7	3
729402-23100	8	25
729602-01560	1	1
729604-53400	13	1
729688-51350	11	1
977770-1207F	17	31
X2114255110	15	5
X2114535200	18	20
X2114555500	15	21
X2114955020	15	22
X2130350900	15	4
X2240410100	15	23
X9490561001	16	3

Copyright (C) 2010 CURTIS-TOLEDO, INC. All Rights Reserved.

1012-00
CAT. NO. 39520 47905

