

KAPTIV[®]-SP

Electronic level sensed condensate drain with sight port

The KAPTIV-SP (Sight Port) is an electronically operated level sensed condensate drain that guarantees zero air-loss during the condensate discharge cycle.

PRODUCT FEATURES

This comprehensive, high-end condensate draining solution incorporates alarm options, service interval warning options and an anti air-lock feature.

All options can be easily selected and activated by using the touch buttons. The digital display feature indicates the selected option.

A unique feature of the KAPTIV-SP is the condensate level Sight Port offering you visual confirmation of the condensate level.

The KAPTIV-SP has a robust industrial housing and can be installed on all compressed air system components regardless their size and climate zone. Only 1 model required for all systems up to 100m³/min compressor capacity.

The alarm feature can be connected to the JORC WARNER[®] ensuring you never miss out on maintenance opportunities.



**Condensate
sight port
feature!**

COMMERCIAL BENEFITS

- All-in-one level sensed draining solution.
- Capacitive level sensing technology saves air, energy and money.
- Condensate sight port for offering a visual status of the condensate level.
- Low stocking costs.
- The KAPTIV-SP can be connected to the JORC WARNER[®].
- Special module colours available for private label branding purposes.
- Private labelling option is available.

TECHNICAL ADVANTAGES

- Digital options such as: alarm, service interval and anti air-lock feature.
- Successful draining of condensate due to large orifice (also heavily emulsified condensate).
- Easy installation on to compressed air systems up to 16 bar.
- Visual display of operating status.
- One model covers up to 100 m³/min. compressor capacity.
- Direct acting valve assembly, ensuring reliable discharge operation.
- Robust housing incorporating an integrated strainer.

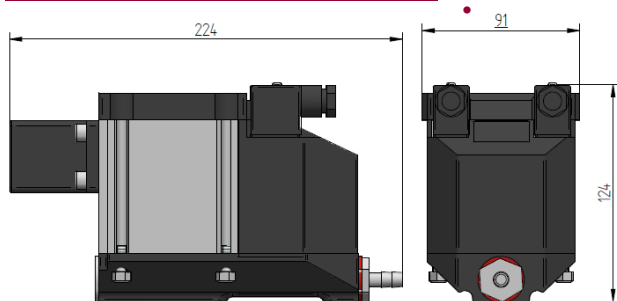
Opportunity:

The KAPTIV[®]-SP can be connected to the JORC WARNER[®] (compressed air condensate management warning system), offering you the advantage of being alerted when maintenance opportunities arise.

KAPTIV[®]-SP

Electronic level sensed condensate drain with sight port

DIMENSIONS MM



SPECIFICATIONS

Maximum compressor capacity	100 m ³ /min.
Min./max. system pressure	0 bar / 16 bar
Valve type	2/2 way, direct acting
Valve orifice	4.5 mm
Valve seals	FPM
Inlet connection	1/2" (BSP or NPT)
Outlet connection	1/2" (BSP or NPT)
Inlet height	12 cm (top) and 8.5 cm (side)
Minimum medium temperature	1° C
Maximum medium temperature	50° C
Supply voltage options	230VAC / 115VAC 24VAC / 24VDC
Connectors	DIN 43650-B

Serviceable valve	Yes
TEST feature	Yes
Environmental protection	IP65 (NEMA4)
Integrated mesh strainer	Yes

Alarm contact options	Alarm Normally Closed (NC) Alarm Normally Open (NO)
-----------------------	--



Digital display indicating Service Interval



Digital display indicating Alarm Cycle



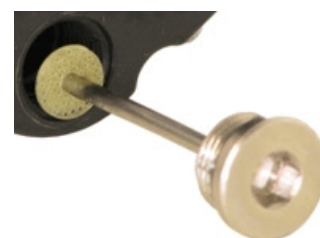
Sight Port



Digital display for easy set-up



DIN form B connections allow for easy connection of the alarm and electricity.



Integrated mesh strainer protects the valve.



The KAPTIV-SP can be connected to the JORC WARNER[®] (consult factory for more information).

JORC is ISO 9001:2008 Certified



Information provided herewith is believed to be accurate and reliable. However, no responsibility is assumed for its use or for any infringement of patents or rights of others, which may result from its use. In addition, JORC reserves the right to revise information without notice and without incurring any obligation.

JORC Industrial BV
Pretoriastraat 28
NL-6413 NN Heerlen
The Netherlands

Tel +31 45 524 24 27
Fax +31 45 524 19 79
E-mail info@jorc.nl
http:// www.jorc.eu